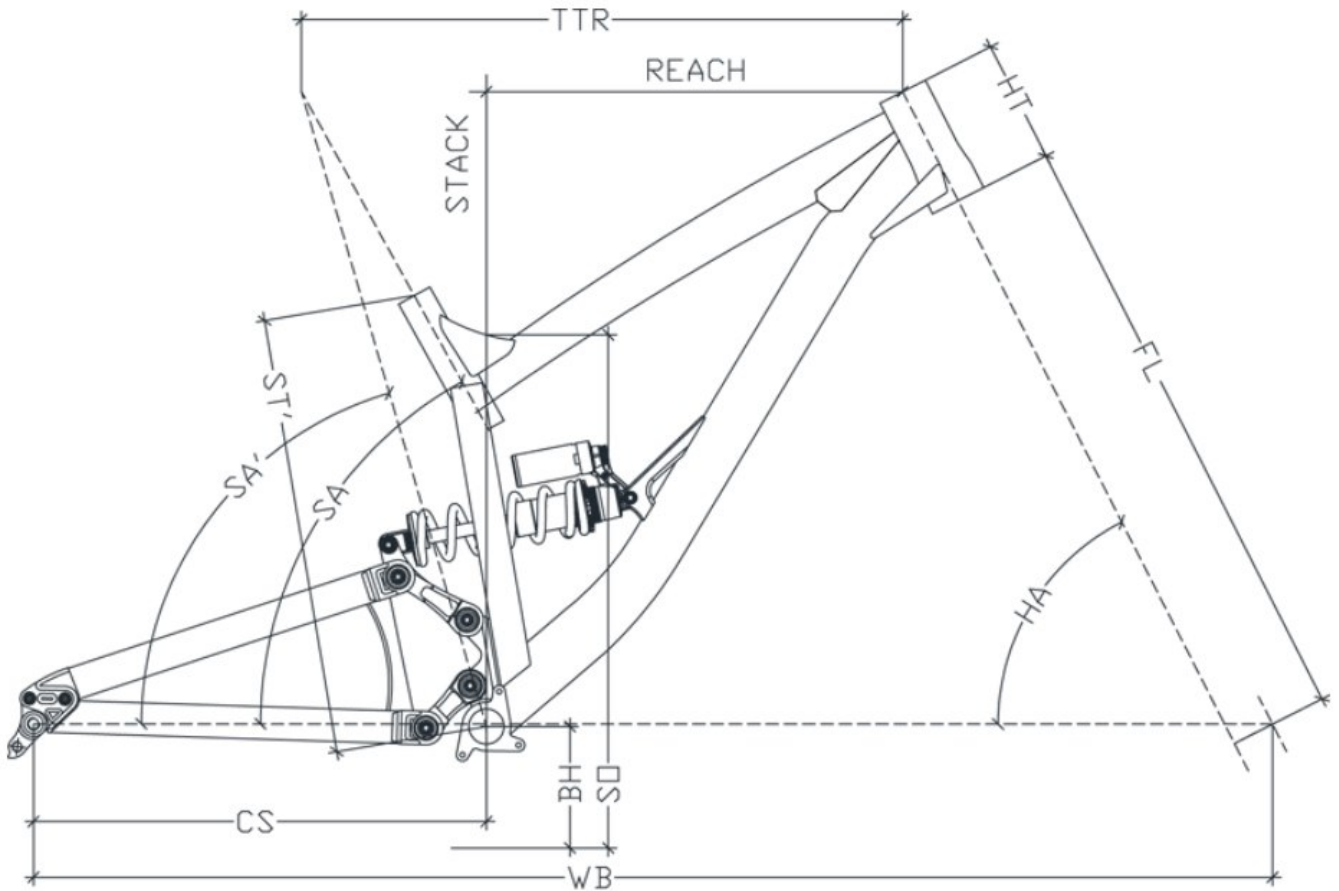


MDE 2018 FRAMES GEOMETRY

MDE 695 (650B) 2018 GEOMETRY



SIZE	ST'	TTR	SO	REACH	STACK	SA'	HA	HT	CS	BH	WB	RIDER HT
S	428	570	700	389	623	73.7°	63.0°	120	444	348	1196	150-165cm
M	428	590	700	409	623	73.7°	63.0°	120	444	348	1216	165-175cm
L	428	610	700	429	623	73.7°	63.0°	120	444	348	1236	175-185cm
XL	428	630	700	449	623	73.7°	63.0°	120	444	348	1256	185-200cm

Geometry based on 586mm axle-to-crown (200mm Fork)

MDE 695 (650B) 2018 FRAME SPECS

Max Fork travel: 200MM(27.5")

Rear Shock Size: 241mm X 76mm

Shock Hardware: 22mm X 8mm rear, 22mm X 8mm front

Rear travel:210mm

Headset (Top): 44mm ZERO STACK

Headset (Bottom): 49mm EXTERNAL CUP

BB Shell: 83mm BSA THREADED

Rear Brake Mount: 180mm POST MOUNT

Rear Axle:**150x12mm** (SRAM MAXLE STD)

Front Derailleur: Top pull-Top swing (tiraggio alto-fascetta bassa), D.34,9mm

ISCG Tabs : ISCG 03 AND 05 (1.5MM OFFSET) REPLACEABLE TAB

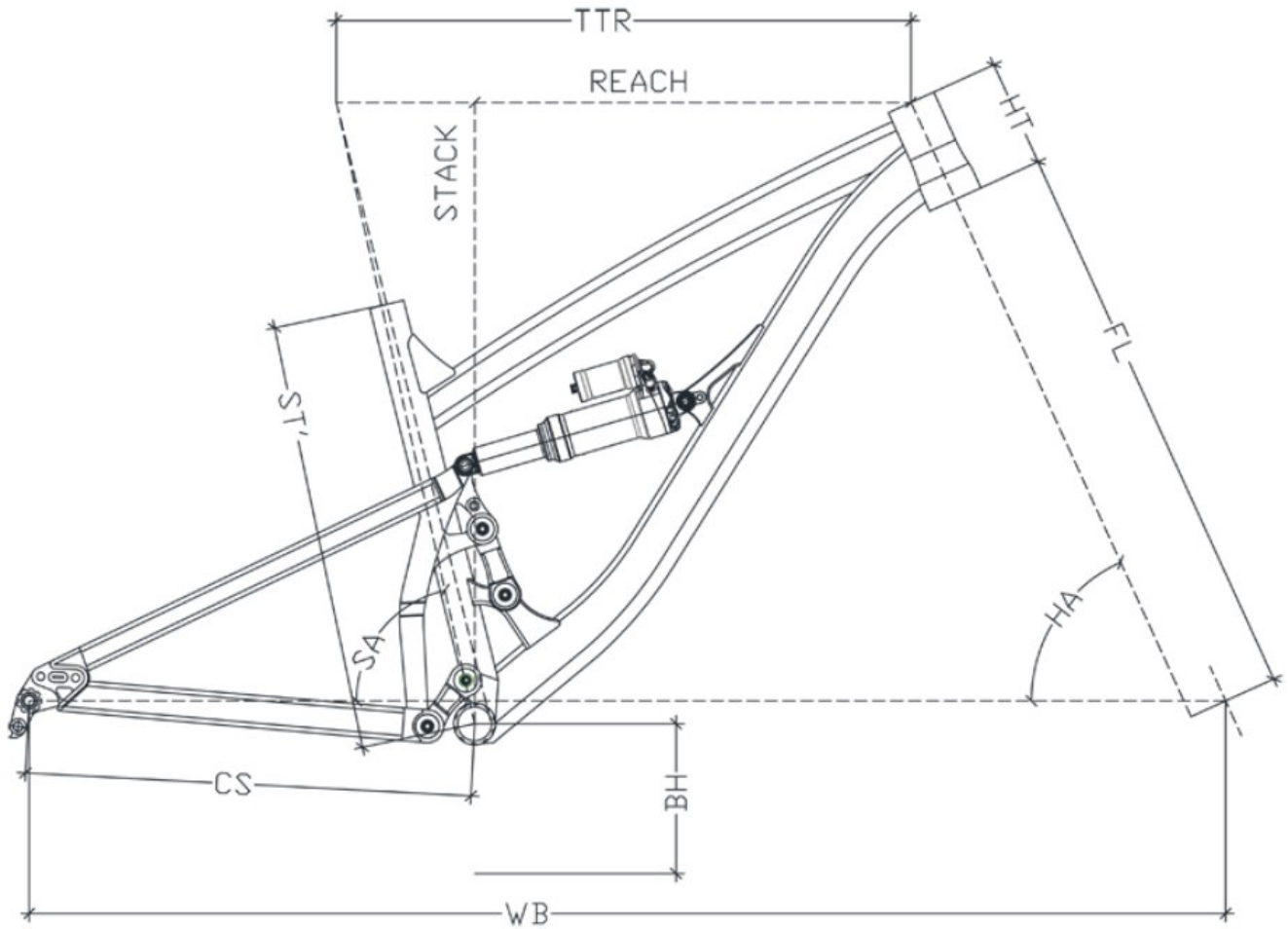
Seatpost Diameter: 30.9mm

Seat Clamp: 34.9mm

Max Chaining Size: 36t Single or 38-26 Double

Max Tire Size: 27,5"(650B)X 2.5

MDE DAMPER 29 2018 GEOMETRY



SIZE	ST'	TTR	REACH	STACK	SA	HA	HT	CS	BH	WB	RIDER HT
S	390	560	410	603	76.2°	65.5°	100	445	350	1174	150-165cm
M	430	585	435	610	76.2°	65.5°	107	445	350	1199	165-175cm
L	460	605	460	613	76.2°	65.5°	110	445	350	1224	175-185cm
XL	490	630	485	623	76.2°	65.5°	120	445	350	1249	185-200cm

Geometry based on 572mm axle-to-crown (160mm Fork)
 Shox: Rock Shox Monarch Plus 216x63mm
 Tires: 29"x2.30

MDE DAMPER 29 2018 FRAME SPECS

Max Fork travel: 180MM(27.5"), 160MM(29")

Rear Shock Size: 216mm X 63mm or 230mmx65mm

Shock Hardware: 40mm X 8mm rear, 22mm X 8mm front

Rear travel:160mm

Headset (Top): 44mm ZERO STACK

Headset (Bottom): 49mm EXTERNAL CUP

BB Shell: 73mm BSA THREADED

Rear Brake Mount: 160mm POST MOUNT

Rear Dropout:MDS system **only 148x12mm +14mm** (SRAM MAXLE STD)

Front Derailleur:Front direct pull-Top swing (tiraggio sul deragliatore-fascetta bassa), D.34,9mm

ISCG Tabs : ISCG 03 AND 05 (1.5MM OFFSET) REPLACEABLE TAB

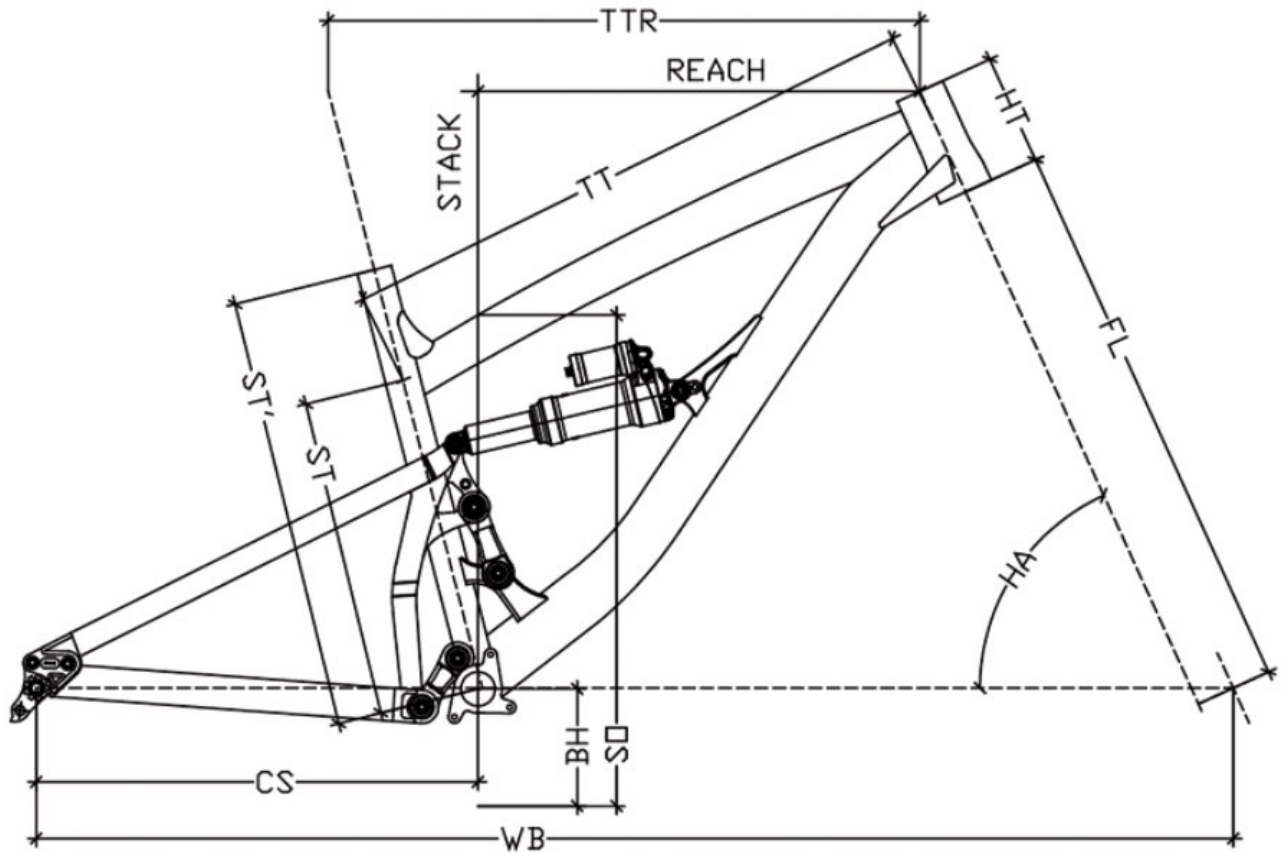
Seatpost Diameter: 30.9mm

Seat Clamp: 34.9mm

Max Chainring Size: 34t Single or 36-24 Double (only Boost Crankset)

Max Tire Size: 29"X 2.5

MDE DAMPER 650B 2018 GEOMETRY



SIZE	ST	ST'	TTR	TT	SO	REACH	STACK	SA	HA	HT	CS	BH	WB	RIDER HT
S	308	390	565	555	722	416	592	74.8°	65.5°	107	439	348	1168	150-165cm
M	315	430	590	579	725	440	595	74.8°	65.5°	110	439	348	1194	165-175cm
L	319	460	615	603	728	465	599	74.8°	65.5°	115	439	348	1219	175-185cm
XL	340	490	640	622	741	488	604	74.8°	65.5°	120	439	348	1245	185-200cm

Geometry based on 555mm axle-to-crown (160mm Fork)
Shox: Rock Shox Monarch Plus 216x63mm

MDE DAMPER (650B) 2018 FRAME SPECS

Max Fork travel: 180MM(27.5")

Rear Shock Size: 216mm X 63mm or 230mmx65mm

Shock Hardware: 40mm X 8mm rear, 22mm X 8mm front

Rear travel:160mm

Headset (Top): 44mm ZERO STACK

Headset (Bottom): 49mm EXTERNAL CUP

BB Shell: 73mm BSA THREADED

Rear Brake Mount: 160mm POST MOUNT

Rear Axle:MDS system-135x10QR,142X12mm,**148x12mm**, 150x12mm (SRAM MAXLE STD)

Front Derailleur: Top pull-Top swing (tiraggio alto-fascetta bassa), D.34,9mm

ISCG Tabs : ISCG 03 AND 05 (1.5MM OFFSET) REPLACEABLE TAB

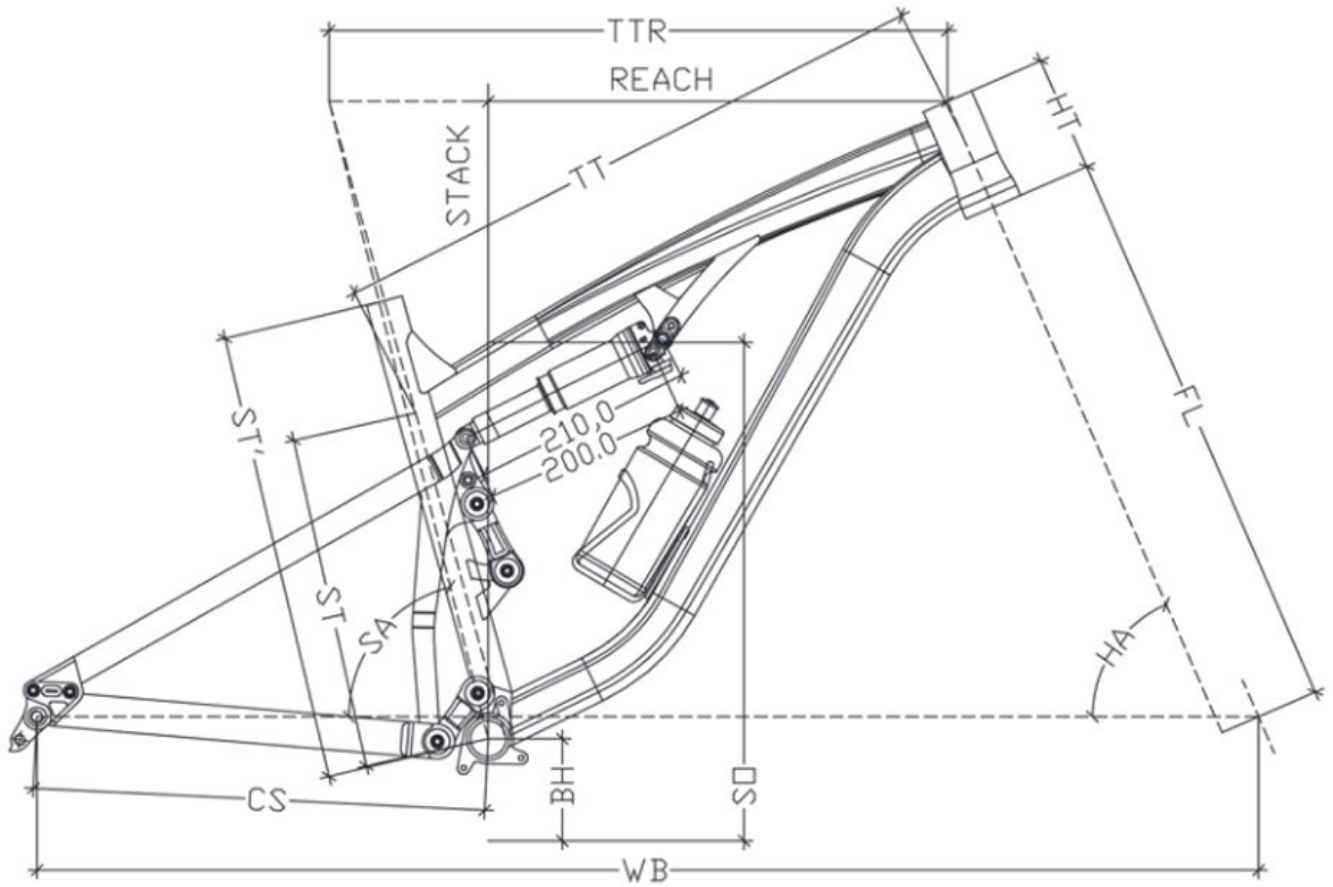
Seatpost Diameter: 30.9mm

Seat Clamp: 34.9mm

Max Chainring Size: 36t Single or 38-26 Double

Max Tire Size: 27,5"(650B)X 2.5

MDE CARVE 2018 GEOMETRY



27.5° WHEELS GEOMETRY

SIZE	ST	ST'	TTR	TT	SO	REACH	STACK	SA	HA	HT	CS	BH	WB	RIDER HT
S	308	390	565	555	722	414	592	75.8°	66.3°	107	430	334	1145	150-165cm
M	315	430	590	579	725	440	595	75.8°	66.3°	110	430	334	1171	165-175cm
L	319	460	615	603	728	465	599	75.8°	66.3°	115	430	334	1196	175-185cm
XL	340	490	640	622	741	488	604	75.8°	66.3°	120	430	334	1222	185-200cm

Geometry based on 542mm axle-to-crown (160mm 27.5" Fork)
with +0.0mm dropout
Shox: Rock Shox Deluxe RT3 210x55mm

29° WHEELS GEOMETRY

SIZE	ST	ST'	TTR	TT	SO	REACH	STACK	SA	HA	HT	CS	BH	WB	RIDER HT
S	308	390	565	555	722	414	592	75.8°	66.3°	107	444	350	1168	150-165cm
M	315	430	590	579	725	440	595	75.8°	66.3°	110	444	350	1194	165-175cm
L	319	460	615	603	728	465	599	75.8°	66.3°	115	444	350	1219	175-185cm
XL	340	490	640	622	741	488	604	75.8°	66.3°	120	444	350	1245	185-200cm

Geometry based on 552mm axle-to-crown (140mm 29" Fork)
with +14.0mm dropouts
Shox: Rock Shox Deluxe RT3 210x55mm

MDE CARVE 2018 FRAME SPECS

Max Fork travel: 160MM(27.5"), 140MM(29" OR 60B+)

Rear Shock Size: 200mm X 57mm

Shock Hardware: 40mm X 8mm rear, 22mm X 8mm front

Rear travel:150mm

Headset (Top): 44mm ZERO STACK

Headset (Bottom): 49mm EXTERNAL CUP

BB Shell: 73mm BSA THREADED

Rear Brake Mount: 160mm POST MOUNT

Rear Axle:MDS system-135x10QR,142X12mm,**148x12mm,148x12+14 (for 29")**,150x12mm (SRAM MAXLE STD)

Front Derailleur: Top pull-Top swing (tiraggio alto-fascetta bassa), D.34,9mm

ISCG Tabs : ISCG 03 and 05

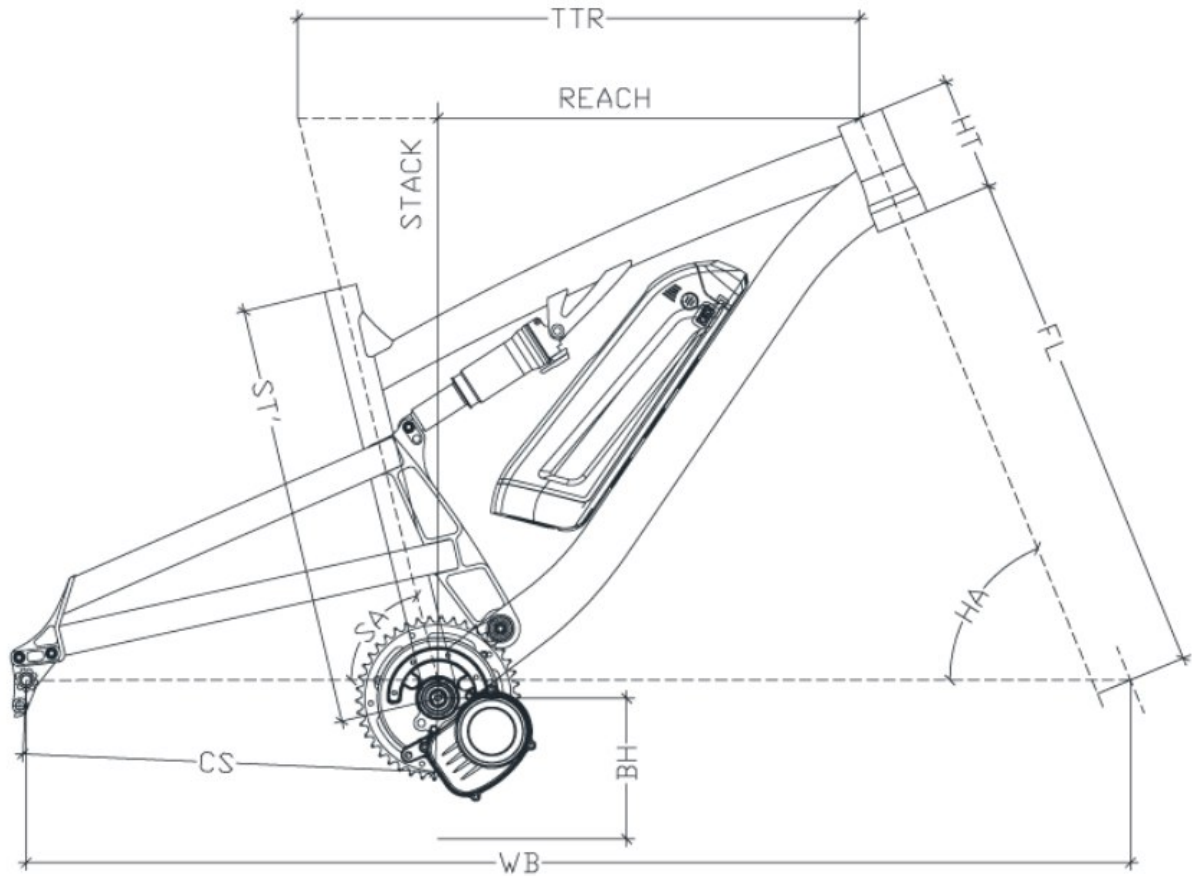
Seatpost Diameter: 30.9mm

Seat Clamp: 34.9mm

Max Chaining Size: 34t Single or 36-24 Double

Max Tire Size: 27.5"(650B)X 2.80 , 29"x2.30

MDE BOLDER 2018 GEOMETRY



GEOMETRY

SIZE	ST'	TTR	REACH	STACK	SA	HA	HT	CS	BH	WB	RIDER HT
SMALL	400	570	420	599	75.8°	67°	120	439	350	1150	150-165cm
MEDIUM	450	600	450	599	75.8°	67°	120	439	350	1180	165-180cm
LARGE	500	630	480	599	75.8°	67°	120	439	350	1210	180-200cm

Geometry based on 545mm axle-to-crown (140mm 29"/650b+ Fork)
 Shox: Rock Shox Monarch RL 190x51mm
 w 27.5x3.00 tires

MDE BOLDER 2018 FRAME SPECS

Max Fork travel: 160MM(27.5"), 140MM(29" OR 60B+)

Rear Shock Size: 190mm X 51mm

Shock Hardware: 50mm X 8mm rear, 22mm X 8mm front

Rear travel:130mm or 140mm

Headset (Top): 44mm ZERO STACK

Headset (Bottom): 49mm EXTERNAL CUP

BB Shell: 73mm BSA THREADED

Rear Brake Mount: 160mm POST MOUNT

Rear Axle:MDS system-135x10QR,142X12mm,**148x12mm**,150x12mm (SRAM MAXLE STD)

Front Derailleur: Top pull-Top swing (tiraggio alto-fascetta bassa), D.34,9mm

ISCG Tabs : None

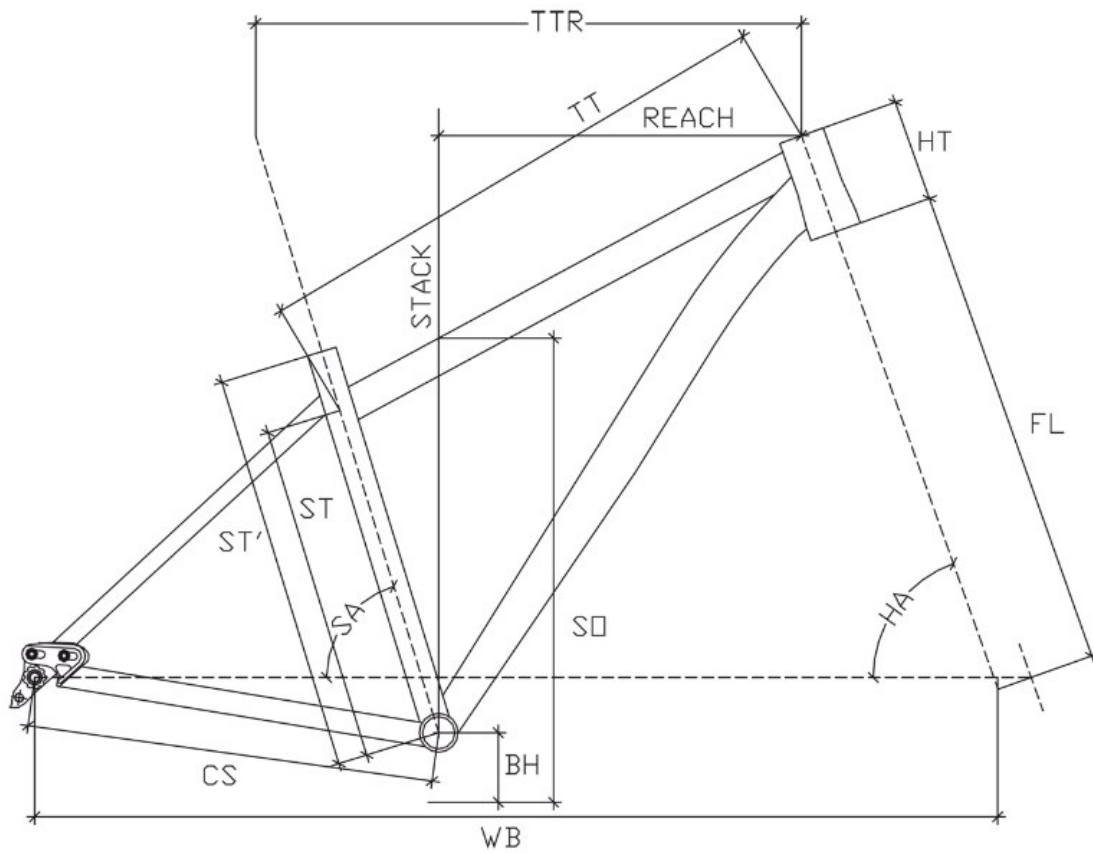
Seatpost Diameter: 30.9mm

Seat Clamp: 34.9mm

Max Chaining Size: 36t Single or 38-26 Double

Max Tire Size: 27.5"(650B)X 2.80 , 29"x2.30

MDE SLIDER AL 2018 GEOMETRY



SIZE	ST	ST'	TTR	TT	SO	REACH	STACK	SA	HA	HT	CS	BH	WB	RIDER HT
S	315	390	570	575	693	395	629	74.8°	67.5°	107	430-440	314	1107	150-165cm
M	358	430	595	587	727	420	632	74.8°	67.5°	110	430-440	314	1132	165-175cm
L	415	480	615	599	775	440	636	74.8°	67.5°	115	430-440	314	1152	175-185cm
XL	346	510	640	618	799	465	641	74.8°	67.5°	120	430-440	314	1177	185-200cm

Geometry based on 650b+x3.0 wheels with 520mm fork length (120mm travel)
 With 29"x2.35 wheels and 530mm fork length (130mm travel) SA = 67.0 ° BH = 322
 With 27.5"x2.4 wheels and 545mm fork length (150mm stroke) SA = 66.2 ° BH = 319

MDE SLIDER AL 2018 FRAME SPECS

Max Fork travel: 150MM(27.5"), 140MM(29" OR 650B+)

Headset (Top): 44mm ZERO STACK

Headset (Bottom): 49mm EXTERNAL CUP

BB Shell: 73mm BSA THREADED

Rear Brake Mount: 160mm POST MOUNT

Rear Dropouts: MDS system-135x10QR, 142X12mm, **148x12mm**, 150x12mm (SRAM MAXLE STD)

Front Derailleur: Top pull-Top swing (tiraggio alto-fascetta bassa), D.34,9mm

ISCG Tabs : None

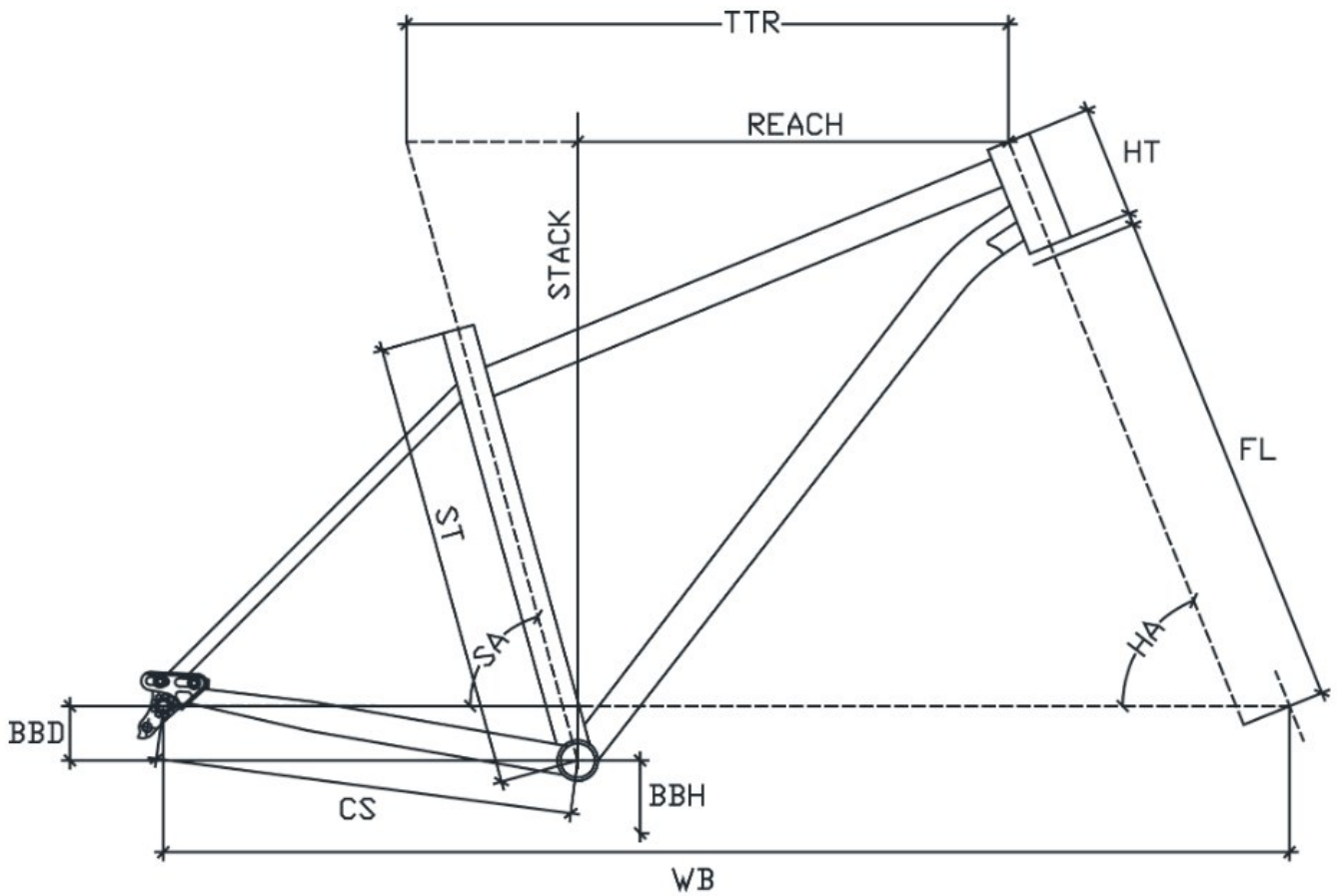
Seatpost Diameter: 30.9mm

Seat Clamp: 34.9mm

Max Chaining Size: 34t Single or 36-24 Double

Max Tire Size: 29"X 2.5 or 27,5"x3.0

MDE SLIDER CR 2018 GEOMETRY



SIZE	ST	TTR	TT	SO	REACH	STACK	SA	HA	HT	CS	BH	WB	RIDER HT
S	390	570	575	693	395	629	74.8°	67.5°	107	430-440	314	1107	150-165cm
M	430	595	587	727	420	632	74.8°	67.5°	110	430-440	314	1132	165-175cm
L	480	615	599	775	440	636	74.8°	67.5°	115	430-440	314	1152	175-185cm
XL	510	640	618	799	465	641	74.8°	67.5°	120	430-440	314	1177	185-200cm

Geometry based on 650b+x3.0 wheels with 520mm fork length (120mm travel) – BB Drop=55mm
 With 29"x2.35 wheels and 530mm fork length (130mm travel) SA = 67.0 ° BH = 322
 With 27.5"x2.5 wheels and 545mm fork length (150mm stroke) SA = 66.2 ° BH = 319

MDE SLIDER CR 2018 FRAME SPECS

Max Fork travel: 150MM(27.5"), 140MM(29" OR 650B+)

Headset (Top): 44mm ZERO STACK

Headset (Bottom): 44mm EXTERNAL CUP

BB Shell: 73mm BSA THREADED

Rear Brake Mount: 160mm POST MOUNT

Rear Dropouts: MDS system-135x10QR, 142X12mm, **148x12mm**, 150x12mm (SRAM MAXLE STD)

Front Derailleur: Top pull-Top swing (tiraggio alto-fascetta bassa), D.34,9mm

ISCG Tabs : None

Seatpost Diameter: 30.9mm

Seat Clamp: 33mm

Max Chaining Size: 34t Single or 36-24 Double

Max Tire Size: 29"X 2.5 or 27,5"x3.0