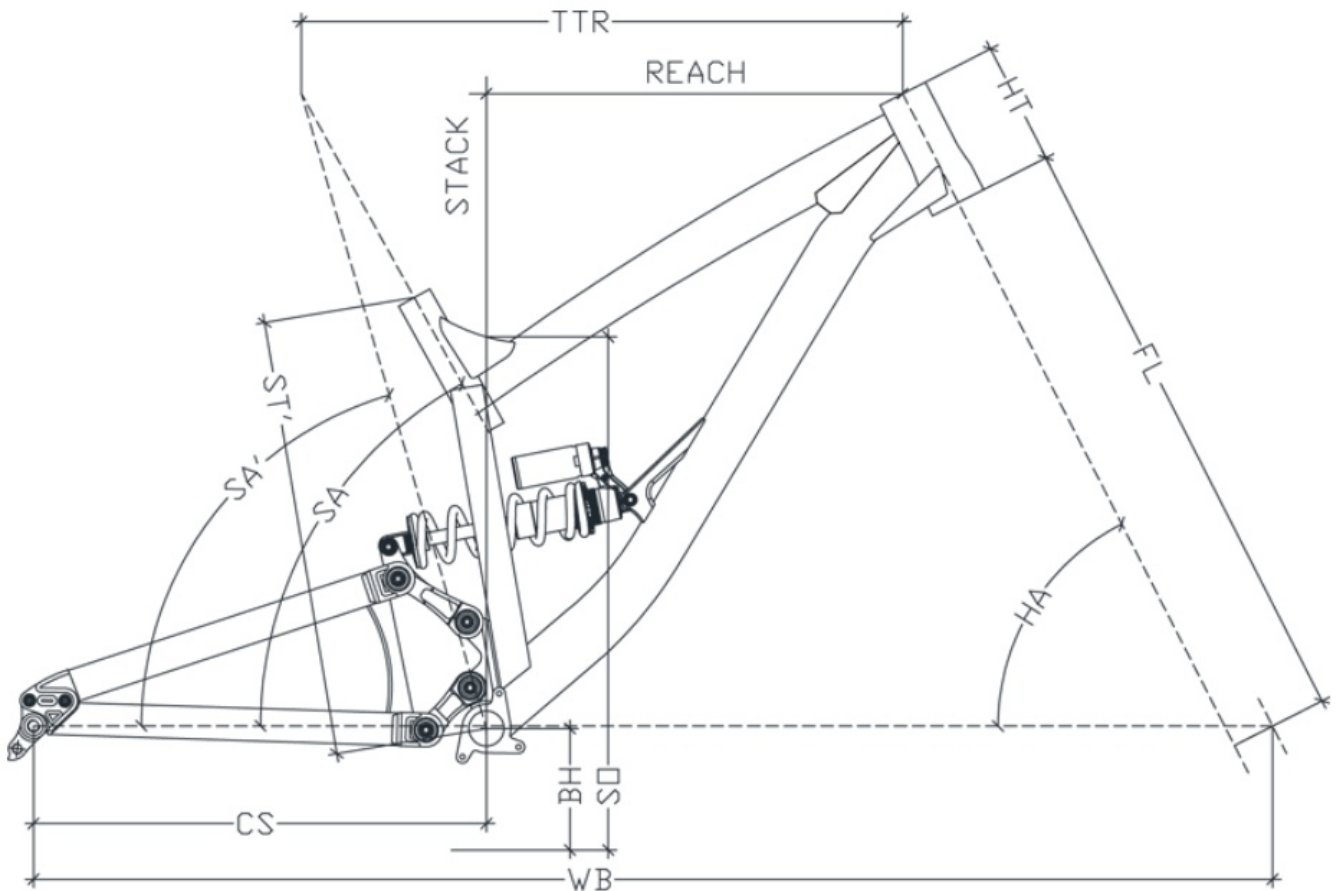


MDE 2017 FRAMES GEOMETRY

MDE 695 (650B) 2017 GEOMETRY



SIZE	ST'	TTR	SO	REACH	STACK	SA'	HA	HT	CS	BH	WB	RIDER HT
S	428	570	700	389	623	73.7°	63.0°	120	444	348	1196	150-165cm
M	428	590	700	409	623	73.7°	63.0°	120	444	348	1216	165-175cm
L	428	610	700	429	623	73.7°	63.0°	120	444	348	1236	175-185cm
XL	428	630	700	449	623	73.7°	63.0°	120	444	348	1256	185-200cm

Geometry based on 586mm axle-to-crown (200mm Fork)

MDE 695 (650B) 2017 FRAME SPECS

Max Fork travel: 200MM(27.5")

Rear Shock Size: 241mm X 76mm

Shock Hardware: 22mm X 8mm rear, 22mm X 8mm front

Rear travel:210mm

Headset (Top): 44mm ZERO STACK

Headset (Bottom): 49mm EXTERNAL CUP

BB Shell: 83mm BSA THREADED

Rear Brake Mount: 180mm POST MOUNT

Rear Axle: **150x12mm** (SRAM MAXLE STD)

Front Derailleur: Top pull-Top swing (tiraggio alto-fascetta bassa), D.34,9mm

ISCG Tabs : ISCG 03 AND 05 (1.5MM OFFSET) REPLACEABLE TAB

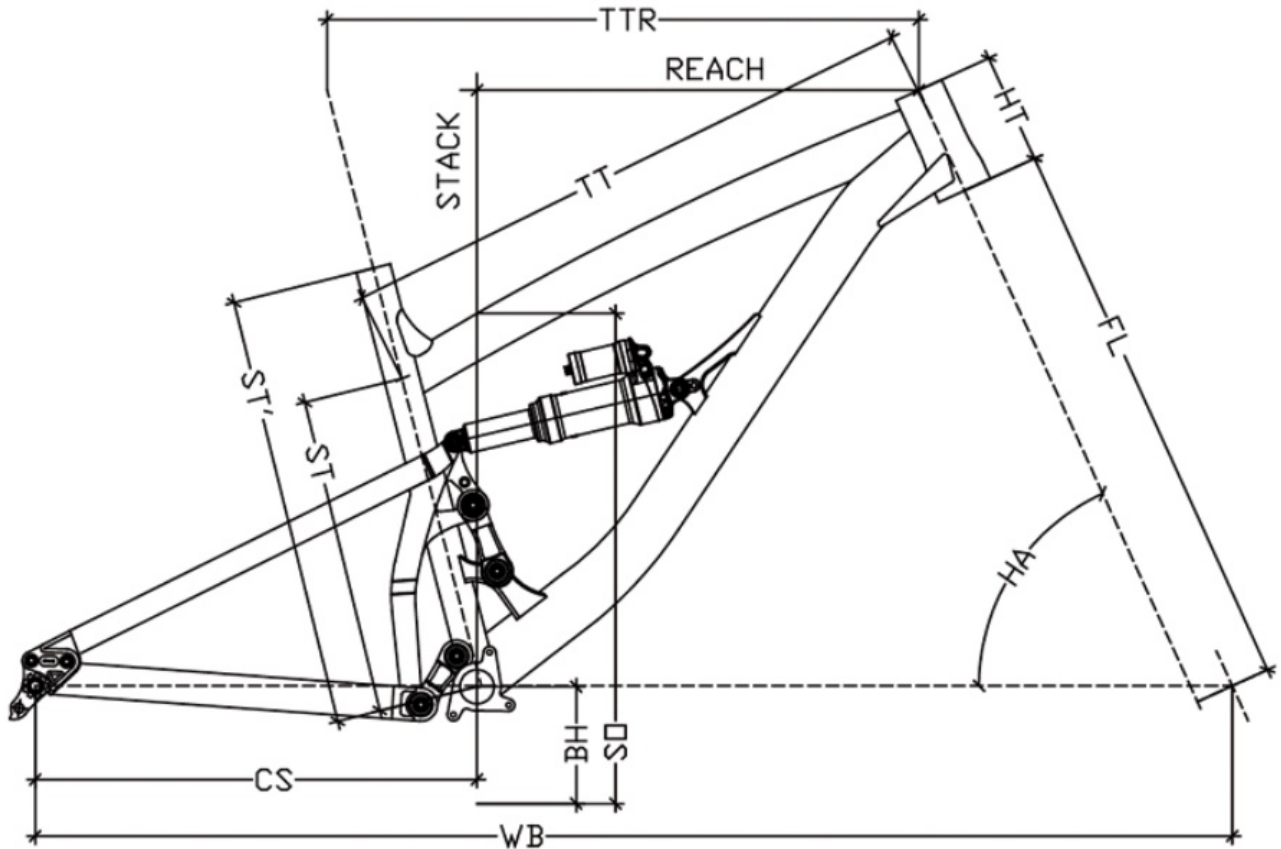
Seatpost Diameter: 30.9mm

Seat Clamp: 34.9mm

Max Chainring Size: 36t Single or 38-26 Double

Max Tire Size: 27,5"(650B)X 2.5

MDE DAMPER 650B 2017 GEOMETRY



SIZE	ST	ST'	TTR	TT	SO	REACH	STACK	SA	HA	HT	CS	BH	WB	RIDER HT
S	308	390	565	555	722	416	592	74.8°	65.5°	107	439	348	1168	150-165cm
M	315	430	590	579	725	440	595	74.8°	65.5°	110	439	348	1194	165-175cm
L	319	460	615	603	728	465	599	74.8°	65.5°	115	439	348	1219	175-185cm
XL	340	490	640	622	741	488	604	74.8°	65.5°	120	439	348	1245	185-200cm

Geometry based on 555mm axle-to-crown (160mm Fork)
Shox: Rock Shox Monarch Plus 216x63mm

MDE DAMPER (650B) 2017 FRAME SPECS

Max Fork travel: 180MM(27.5")

Rear Shock Size: 216mm X 63mm or 230mmx65mm

Shock Hardware: 40mm X 8mm rear, 22mm X 8mm front

Rear travel:160mm

Headset (Top): 44mm ZERO STACK

Headset (Bottom): 49mm EXTERNAL CUP

BB Shell: 73mm BSA THREADED

Rear Brake Mount: 160mm POST MOUNT

Rear Axle:MDS system-135x10QR,**142X12mm**,148x12mm, 150x12mm (SRAM MAXLE STD)

Front Derailleur: Top pull-Top swing (tiraggio alto-fascetta bassa), D.34,9mm

ISCG Tabs : ISCG 03 AND 05 (1.5MM OFFSET) REPLACEABLE TAB

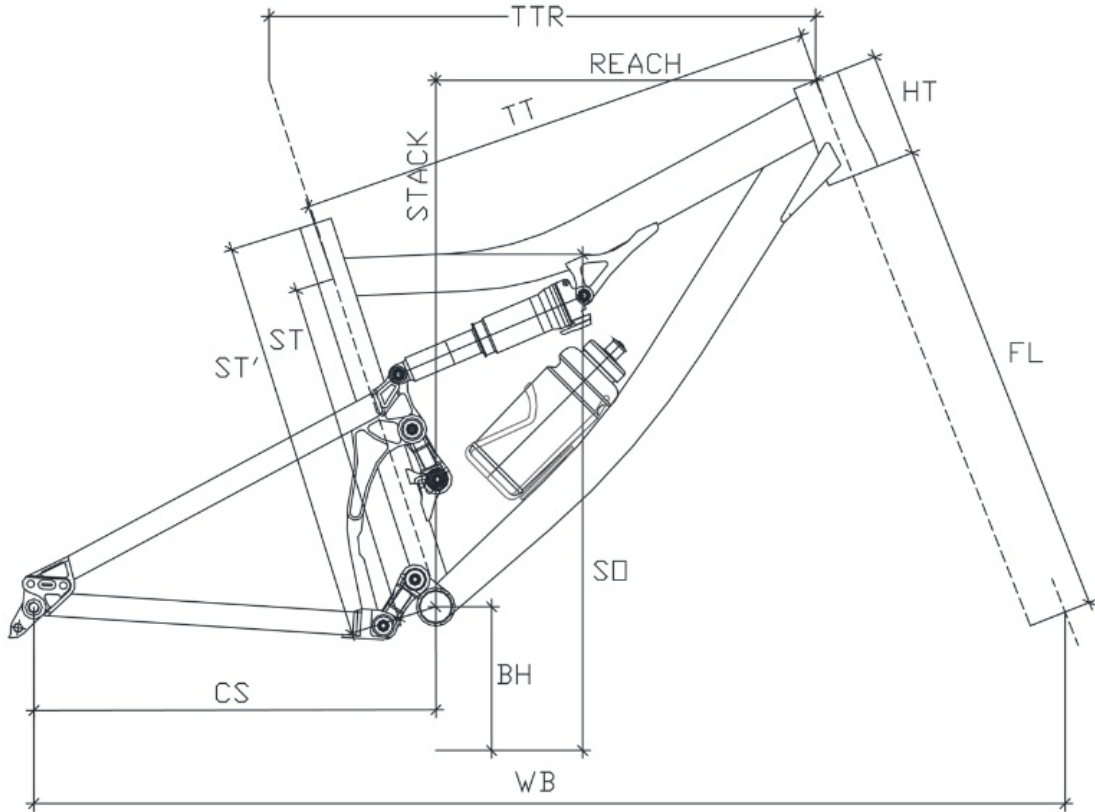
Seatpost Diameter: 30.9mm

Seat Clamp: 34.9mm

Max Chainring Size: 36t Single or 38-26 Double

Max Tire Size: 27,5"(650B)X 2.5

MDE CARVE 7 (650B) 2017 GEOMETRY



SIZE	ST	ST'	TTR	TT	SO	REACH	STACK	SA	HA	HT	CS	BH	WB	RIDER HT
S	343	390	560	547	705	388	597	73.0°	66.5°	107	439	348	1128	150-165cm
M	368	430	585	568	727	412	600	73.0°	66.5°	110	439	348	1153	165-175cm
L	399	460	605	586	748	431	605	73.0°	66.5°	115	439	348	1174	175-185cm
XL	399	490	625	605	750	449	610	73.0°	66.5°	120	439	348	1194	185-200cm

Geometry based on 544mm axle-to-crown (150mm Fork)
Shox: Rock Shox Monarch RT3 200x57mm

MDE CARVE 7 (650B) 2017 FRAME SPECS

Max Fork travel: 150MM(27.5")

Rear Shock Size: 200mm X 57mm

Shock Hardware: 40mm X 8mm rear, 22mm X 8mm front

Rear travel:150mm

Headset (Top): 44mm ZERO STACK

Headset (Bottom): 49mm EXTERNAL CUP

BB Shell: 73mm BSA THREADED

Rear Brake Mount: 160mm POST MOUNT

Rear Axle:MDS system-135x10QR,**142X12mm**,148x12mm,150x12mm (SRAM MAXLE STD)

Front Derailleur: Top pull-Top swing (tiraggio alto-fascetta bassa), D.34,9mm

ISCG Tabs : ISCG 03 and 05

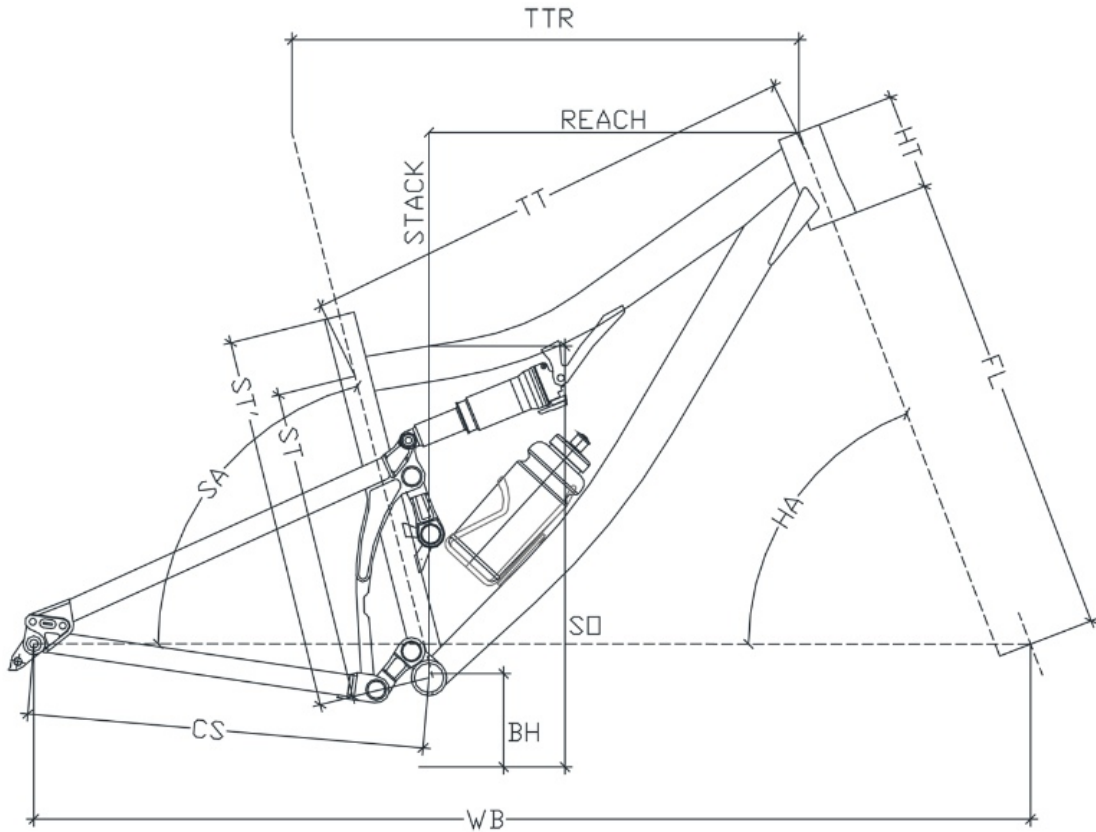
Seatpost Diameter: 30.9mm

Seat Clamp: 34.9mm

Max Chainring Size: 36t Single or 38-26 Double

Max Tire Size: 27,5"(650B)X 2.5

MDE CARVE 9 (29) 2017 GEOMETRY



SIZE	ST	ST'	TTR	TT	SO	REACH	STACK	SA	HA	HT	CS	BH	WB	RIDER HT
S	343	390	560	552	699	401	622	74.0°	68.5°	107	455	341	1129	150-165cm
M	368	430	585	573	727	425	625	74.0°	68.5°	110	455	341	1154	165-175cm
L	399	460	605	591	748	444	630	74.0°	68.5°	115	455	341	1175	175-185cm
XL	399	490	625	610	750	462	635	74.0°	68.5°	120	455	341	1195	185-200cm

Geometry based on 548mm axle-to-crown (140mm Fork)
Shox: Rock Shox Monarch RT3 190x51mm

MDE CARVE 9 (29) 2017 FRAME SPECS

Max Fork travel: 140MM(29")

Rear Shock Size: 190mm X 51mm

Shock Hardware: 40mm X 8mm rear, 22mm X 8mm front

Rear travel:127mm

Headset (Top): 44mm ZERO STACK

Headset (Bottom): 49mm EXTERNAL CUP

BB Shell: 73mm BSA THREADED

Rear Brake Mount: 160mm POST MOUNT

Rear Axle:MDS system-135x10QR,**142X12mm**,148x12mm,150x12mm (SRAM MAXLE STD)

Front Derailleur: Top pull-Top swing (tiraggio alto-fascetta bassa), D.34,9mm

ISCG Tabs : ISCG 03 and 05

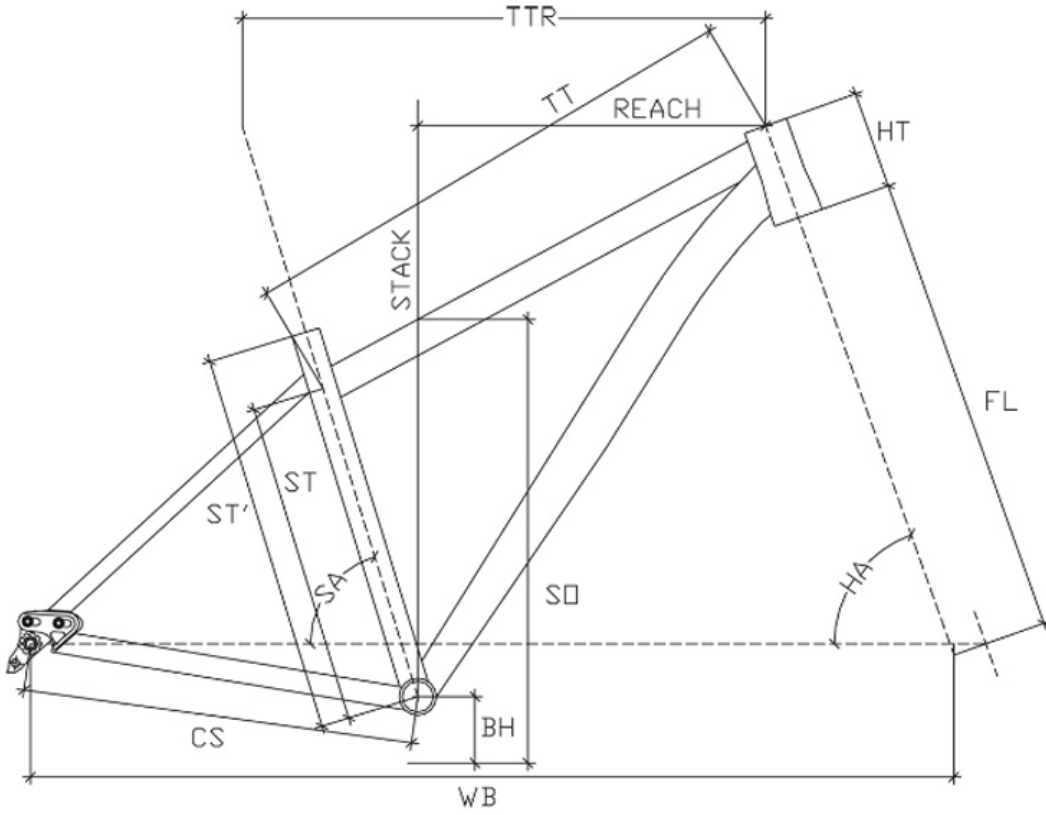
Seatpost Diameter: 30.9mm

Seat Clamp: 34.9mm

Max Chaining Size: 36t Single or 38-26 Double

Max Tire Size: 29"X 2.3

MDE SLIDER 29 AND 650B+ 2017 GEOMETRY



29" WHEELS GEOMETRY

SIZE	ST	ST'	TTR	TT	SO	REACK	STACK	SA	HA	HT	CS	BH	WB	RIDER HT
S	322	390	570	568	699	373	640	73.0°	69.0°	107	430/440	309	1060	150-168cm
M	363	430	590	576	735	392	643	73.0°	69.3°	110	430/440	309	1080	168-178cm
L	415	480	610	587	776	410	648	73.0°	69.3°	115	430/440	309	1100	178-188cm
XL	446	510	640	613	799	439	653	73.0°	69.3°	120	430/440	309	1130	188-200cm

Geometry based on 520mm axle-to-crown (120mm Fork)

650B WHEELS GEOMETRY

SIZE	ST	ST'	TTR	TT	SO	REACK	STACK	SA	HA	HT	CS	BH	WB	RIDER HT
S	322	390	570	568	623	373	620	73.0°	68.7°	107	430/440	303	1060	150-168cm
M	363	430	590	576	720	392	623	73.0°	69.0°	110	430/440	303	1080	168-178cm
L	415	480	610	587	742	410	631	73.0°	69.0°	115	430/440	303	1100	178-188cm
XL	446	510	640	613	799	439	638	73.0°	69.0°	120	430/440	303	1130	188-200cm

Geometry based on 507mm axle-to-crown (120mm Fork)

MDE SLIDER 29 AND 650B+ 2017 FRAME SPECS

Max Fork travel: 140MM(27.5"), 130MM(29" OR 60B+)

Headset (Top): 44mm ZERO STACK

Headset (Bottom): 49mm EXTERNAL CUP

BB Shell: 73mm BSA THREADED

Rear Brake Mount: 160mm POST MOUNT

Rear Axle: MDS system-135x10QR, **142X12mm**, 148x12mm, 150x12mm (SRAM MAXLE STD)

Front Derailleur: Top pull-Top swing (tiraggio alto-fascetta bassa), D.34,9mm

ISCG Tabs : None

Seatpost Diameter: 30.9mm

Seat Clamp: 34.9mm

Max Chaining Size: 34t Single or 36-24 Double

Max Tire Size: 29"X 2.5 or 27,5"x3.0