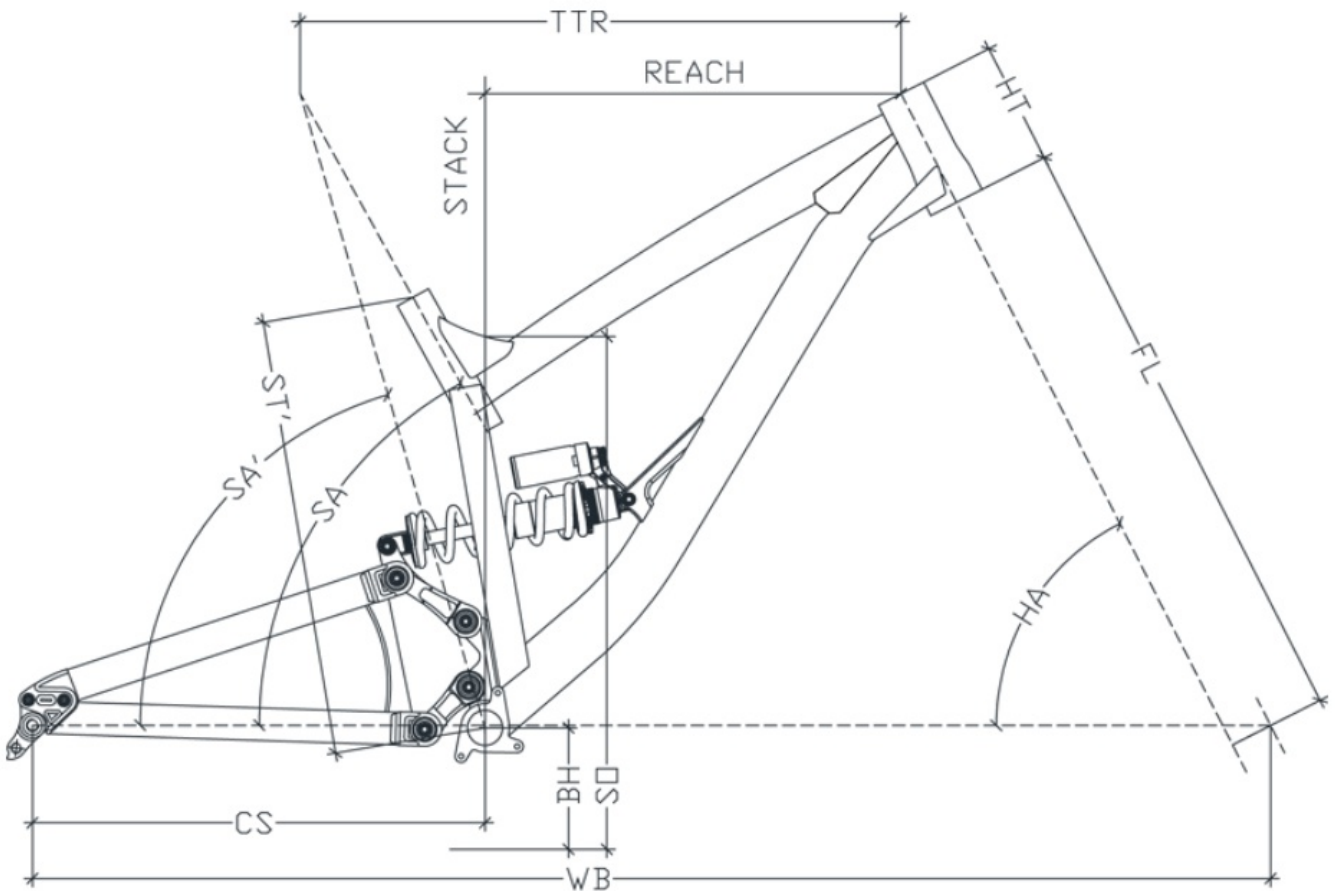


MDE 2016 FRAMES GEOMETRY

MDE 695 (650B) 2016 GEOMETRY



| SIZE | ST' | TTR | SO | REACH | STACK | SA' | HA | HT | CS | BH | WB | RIDER HT |
|------|-----|-----|-----|-------|-------|-------|-------|-----|-----|-----|------|-----------|
| S | 428 | 570 | 700 | 389 | 623 | 73.7° | 63.0° | 120 | 444 | 348 | 1196 | 150-165cm |
| M | 428 | 590 | 700 | 409 | 623 | 73.7° | 63.0° | 120 | 444 | 348 | 1216 | 165-175cm |
| L | 428 | 610 | 700 | 429 | 623 | 73.7° | 63.0° | 120 | 444 | 348 | 1236 | 175-185cm |
| XL | 428 | 630 | 700 | 449 | 623 | 73.7° | 63.0° | 120 | 444 | 348 | 1256 | 185-200cm |

Geometry based on 586mm axle-to-crown (200mm Fork)

MDE 695 (650B) 2016 FRAME SPECS

Max Fork travel: 200MM(27.5")

Rear Shock Size: 241mm X 76mm

Shock Hardware: 22mm X 8mm rear, 22mm X 8mm front

Rear travel:210mm

Headset (Top): 44mm ZERO STACK

Headset (Bottom): 49mm EXTERNAL CUP

BB Shell: 83mm BSA THREADED

Rear Brake Mount: 160mm POST MOUNT

Rear Axle:**150x12mm Thru**

Front Derailleur: Top pull-Top swing (tiraggio alto-fascetta bassa), D.34,9mm

ISCG Tabs : ISCG 03 AND 05 (1.5MM OFFSET) REPLACEABLE TAB

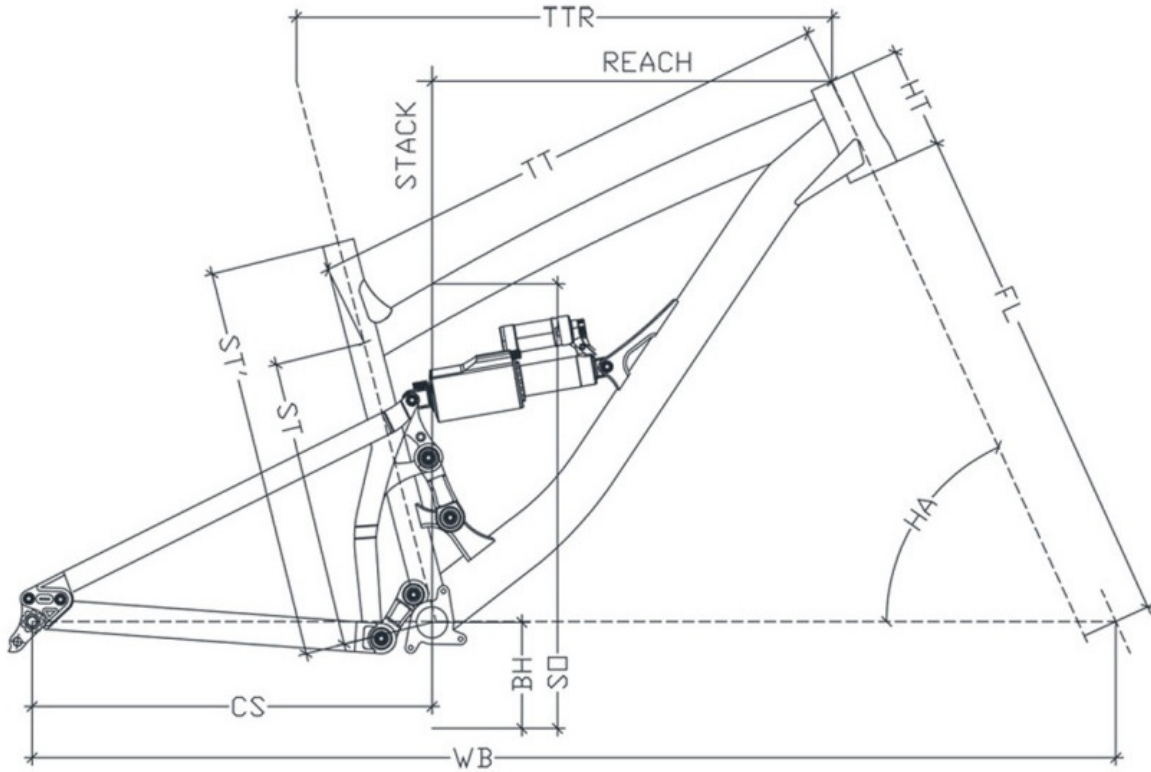
Seatpost Diameter: 30.9mm

Seat Clamp: 34.9mm

Max Chainring Size: 36t Single or 38-26 Double

Max Tire Size: 27,5"(650B)X 2.5

MDE DAMPER 650B 2016 GEOMETRY



| TAGLIA | ST | ST' | TTR | TT | SD | REACK | STACK | SA | HA | HT | CS | BH | WB | RIDER HT |
|--------|-----|-----|-----|-----|-----|-------|-------|-------|-------|-----|-----|-----|------|-----------|
| S | 308 | 390 | 565 | 555 | 722 | 416 | 592 | 74.8° | 65.5° | 107 | 439 | 348 | 1168 | 150-165cm |
| M | 315 | 430 | 590 | 579 | 725 | 440 | 595 | 74.8° | 65.5° | 110 | 439 | 348 | 1194 | 165-175cm |
| L | 319 | 460 | 615 | 603 | 728 | 465 | 599 | 74.8° | 65.5° | 115 | 439 | 348 | 1219 | 175-185cm |
| XL | 340 | 490 | 640 | 622 | 741 | 488 | 604 | 74.8° | 65.5° | 120 | 439 | 348 | 1245 | 185-200cm |

Geometria basata su una forcella con lunghezza 555mm(160mm)
 Ammortizzatore: Rock Shox Monarch Plus 216x63mm

MDE DAMPER (650B) 2016 FRAME SPECS

Max Fork travel: 180MM(27.5")

Rear Shock Size: 216mm X 63mm

Shock Hardware: 40mm X 8mm rear, 22mm X 8mm front

Rear travel:160mm

Headset (Top): 44mm ZERO STACK

Headset (Bottom): 49mm EXTERNAL CUP

BB Shell: 73mm BSA THREADED

Rear Brake Mount: 160mm POST MOUNT

Rear Axle:MDS system-135x10QR,**142X12mm**,148x12mm, 150x12mm (SRAM MAXLE STD)

Front Derailleur: Top pull-Top swing (tiraggio alto-fascetta bassa), D.34,9mm

ISCG Tabs : ISCG 03 AND 05 (1.5MM OFFSET) REPLACEABLE TAB

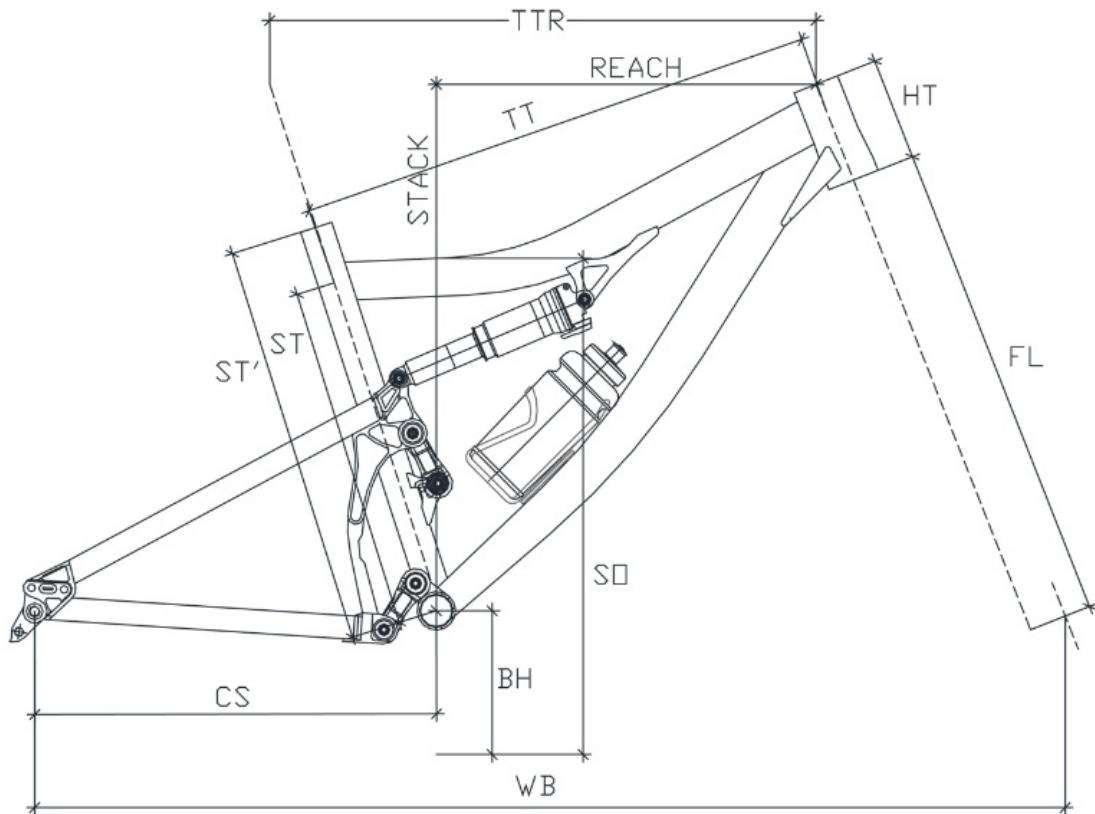
Seatpost Diameter: 30.9mm

Seat Clamp: 34.9mm

Max Chainring Size: 36t Single or 38-26 Double

Max Tire Size: 27,5"(650B)X 2.5

MDE CARVE 7 (650B) 2016 GEOMETRY



| SIZE | ST | ST' | TTR | TT | SO | REACH | STACK | SA | HA | HT | CS | BH | WB | RIDER HT |
|------|-----|-----|-----|-----|-----|-------|-------|-------|-------|-----|-----|-----|------|-----------|
| S | 343 | 390 | 560 | 547 | 705 | 388 | 597 | 73.0° | 66.5° | 107 | 439 | 348 | 1128 | 150-165cm |
| M | 368 | 430 | 585 | 568 | 727 | 412 | 600 | 73.0° | 66.5° | 110 | 439 | 348 | 1153 | 165-175cm |
| L | 399 | 460 | 605 | 586 | 748 | 431 | 605 | 73.0° | 66.5° | 115 | 439 | 348 | 1174 | 175-185cm |
| XL | 399 | 490 | 625 | 605 | 750 | 449 | 610 | 73.0° | 66.5° | 120 | 439 | 348 | 1194 | 185-200cm |

Geometry based on 544mm axle-to-crown (150mm Fork)
Shox: Rock Shox Monarch RT3 200x57mm

MDE CARVE 7 (650B) 2016 FRAME SPECS

Max Fork travel: 160MM(27.5")

Rear Shock Size: 200mm X 57mm

Shock Hardware: 40mm X 8mm rear, 22mm X 8mm front

Rear travel:150mm

Headset (Top): 44mm ZERO STACK

Headset (Bottom): 49mm EXTERNAL CUP

BB Shell: 73mm BSA THREADED

Rear Brake Mount: 160mm POST MOUNT

Rear Axle:MDS system-135x10QR,**142X12mm**,148x12mm,150x12mm (SRAM MAXLE STD)

Front Derailleur: Top pull-Top swing (tiraggio alto-fascetta bassa), D.34,9mm

ISCG Tabs : ISCG 03 and 05

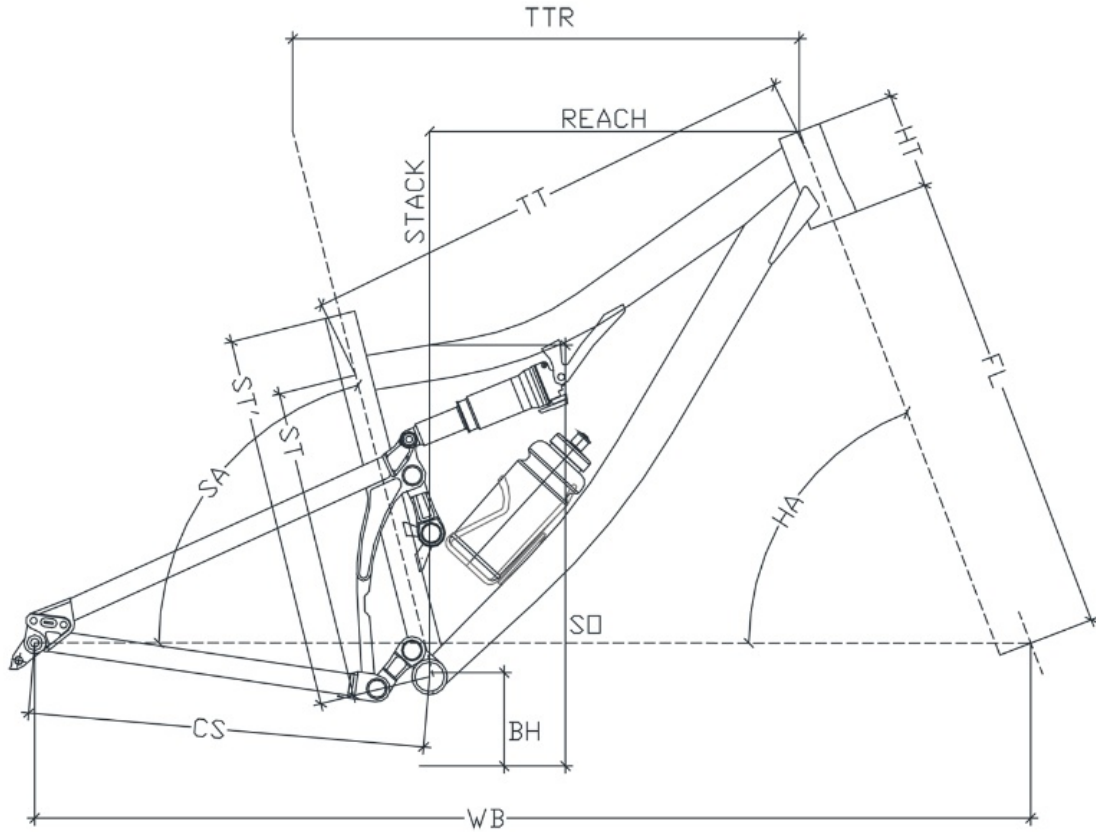
Seatpost Diameter: 30.9mm

Seat Clamp: 34.9mm

Max Chainring Size: 36t Single or 38-26 Double

Max Tire Size: 27,5"(650B)X 2.5

MDE CARVE 9 (29) 2016 GEOMETRY



| SIZE | ST | ST' | TTR | TT | SO | REACH | STACK | SA | HA | HT | CS | BH | WB | RIDER HT |
|------|-----|-----|-----|-----|-----|-------|-------|-------|-------|-----|-----|-----|------|-----------|
| S | 343 | 390 | 560 | 552 | 699 | 401 | 622 | 74.0° | 68.5° | 107 | 455 | 341 | 1129 | 150-165cm |
| M | 368 | 430 | 585 | 573 | 727 | 425 | 625 | 74.0° | 68.5° | 110 | 455 | 341 | 1154 | 165-175cm |
| L | 399 | 460 | 605 | 591 | 748 | 444 | 630 | 74.0° | 68.5° | 115 | 455 | 341 | 1175 | 175-185cm |
| XL | 399 | 490 | 625 | 610 | 750 | 462 | 635 | 74.0° | 68.5° | 120 | 455 | 341 | 1195 | 185-200cm |

Geometry based on 548mm axle-to-crown (140mm Fork)
Shox: Rock Shox Monarch RT3 190x51mm

MDE CARVE 9 (29) 2016 FRAME SPECS

Max Fork travel: 140MM(29" OR 60B+)

Rear Shock Size: 190mm X 51mm

Shock Hardware: 40mm X 8mm rear, 22mm X 8mm front

Rear travel:127mm

Headset (Top): 44mm ZERO STACK

Headset (Bottom): 49mm EXTERNAL CUP

BB Shell: 73mm BSA THREADED

Rear Brake Mount: 160mm POST MOUNT

Rear Axle:MDS system-135x10QR,**142X12mm**,148x12mm,150x12mm (SRAM MAXLE STD)

Front Derailleur: Top pull-Top swing (tiraggio alto-fascetta bassa), D.34,9mm

ISCG Tabs : ISCG 03 and 05

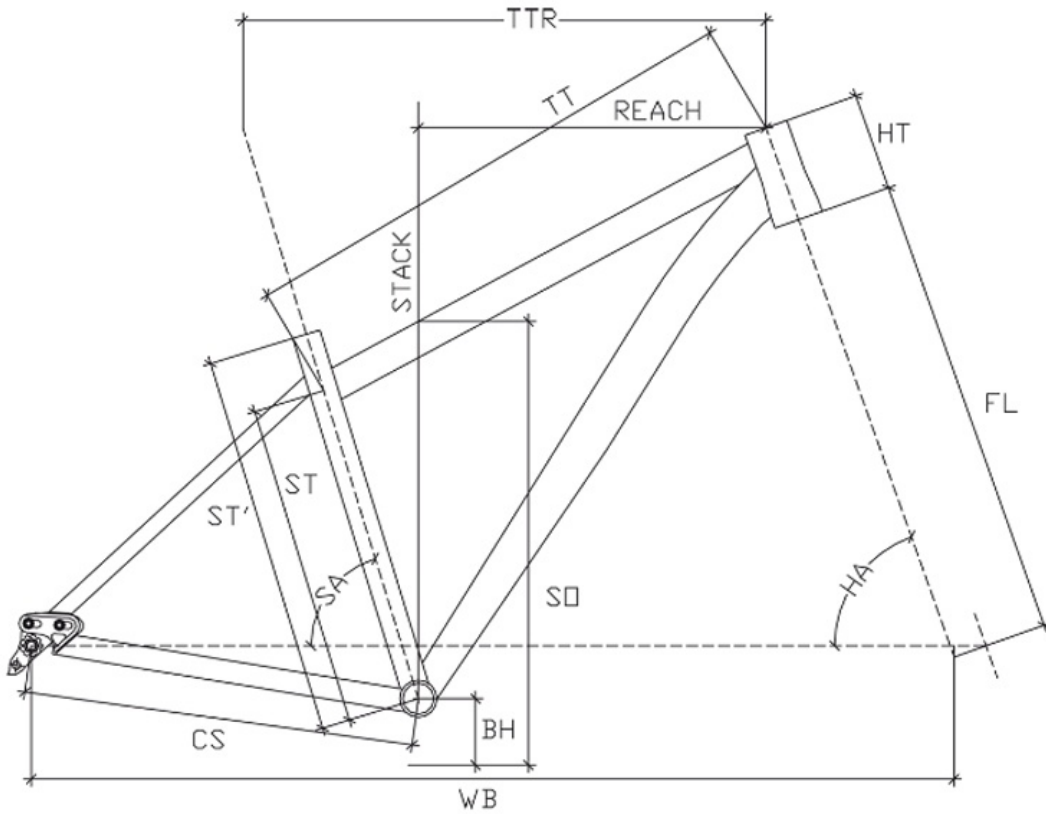
Seatpost Diameter: 30.9mm

Seat Clamp: 34.9mm

Max Chaining Size: 36t Single or 38-26 Double

Max Tire Size: 29"X 2.3

MDE SLIDER 29 AND 650B 2016 GEOMETRY



29" WHEELS GEOMETRY

| SIZE | ST | ST' | TTR | TT | SO | REACK | STACK | SA | HA | HT | CS | BH | WB | RIDER HT |
|------|-----|-----|-----|-----|-----|-------|-------|-------|-------|-----|---------|-----|------|-----------|
| S | 322 | 390 | 570 | 568 | 699 | 373 | 640 | 73.0° | 69.0° | 107 | 430/440 | 309 | 1060 | 150-168cm |
| M | 363 | 430 | 590 | 576 | 735 | 392 | 643 | 73.0° | 69.3° | 110 | 430/440 | 309 | 1080 | 168-178cm |
| L | 415 | 480 | 610 | 587 | 776 | 410 | 648 | 73.0° | 69.3° | 115 | 430/440 | 309 | 1100 | 178-188cm |
| XL | 446 | 510 | 640 | 613 | 799 | 439 | 653 | 73.0° | 69.3° | 120 | 430/440 | 309 | 1130 | 188-200cm |

Geometry based on 520mm axle-to-crown (120mm Fork)

650B WHEELS GEOMETRY

| SIZE | ST | ST' | TTR | TT | SO | REACK | STACK | SA | HA | HT | CS | BH | WB | RIDER HT |
|------|-----|-----|-----|-----|-----|-------|-------|-------|-------|-----|---------|-----|------|-----------|
| S | 322 | 390 | 570 | 568 | 623 | 373 | 620 | 73.0° | 68.7° | 107 | 430/440 | 303 | 1060 | 150-168cm |
| M | 363 | 430 | 590 | 576 | 720 | 392 | 623 | 73.0° | 69.0° | 110 | 430/440 | 303 | 1080 | 168-178cm |
| L | 415 | 480 | 610 | 587 | 742 | 410 | 631 | 73.0° | 69.0° | 115 | 430/440 | 303 | 1100 | 178-188cm |
| XL | 446 | 510 | 640 | 613 | 799 | 439 | 638 | 73.0° | 69.0° | 120 | 430/440 | 303 | 1130 | 188-200cm |

Geometry based on 507mm axle-to-crown (120mm Fork)

MDE SLIDER 29 AND 650B 2016 FRAME SPECS

Max Fork travel: 140MM(27.5"), 130MM(29" OR 60B+)

Headset (Top): 44mm ZERO STACK

Headset (Bottom): 49mm EXTERNAL CUP

BB Shell: 73mm BSA THREADED

Rear Brake Mount: 160mm POST MOUNT

Rear Axle: MDS system-135x10QR, **142X12mm**, 148x12mm, 150x12mm (SRAM MAXLE STD)

Front Derailleur: Top pull-Top swing (tiraggio alto-fascetta bassa), D.34,9mm

ISCG Tabs : None

Seatpost Diameter: 30.9mm

Seat Clamp: 34.9mm

Max Chaining Size: 36t Single or 38-26 Double

Max Tire Size: 29"X 2.3 or 27,5"x2.5