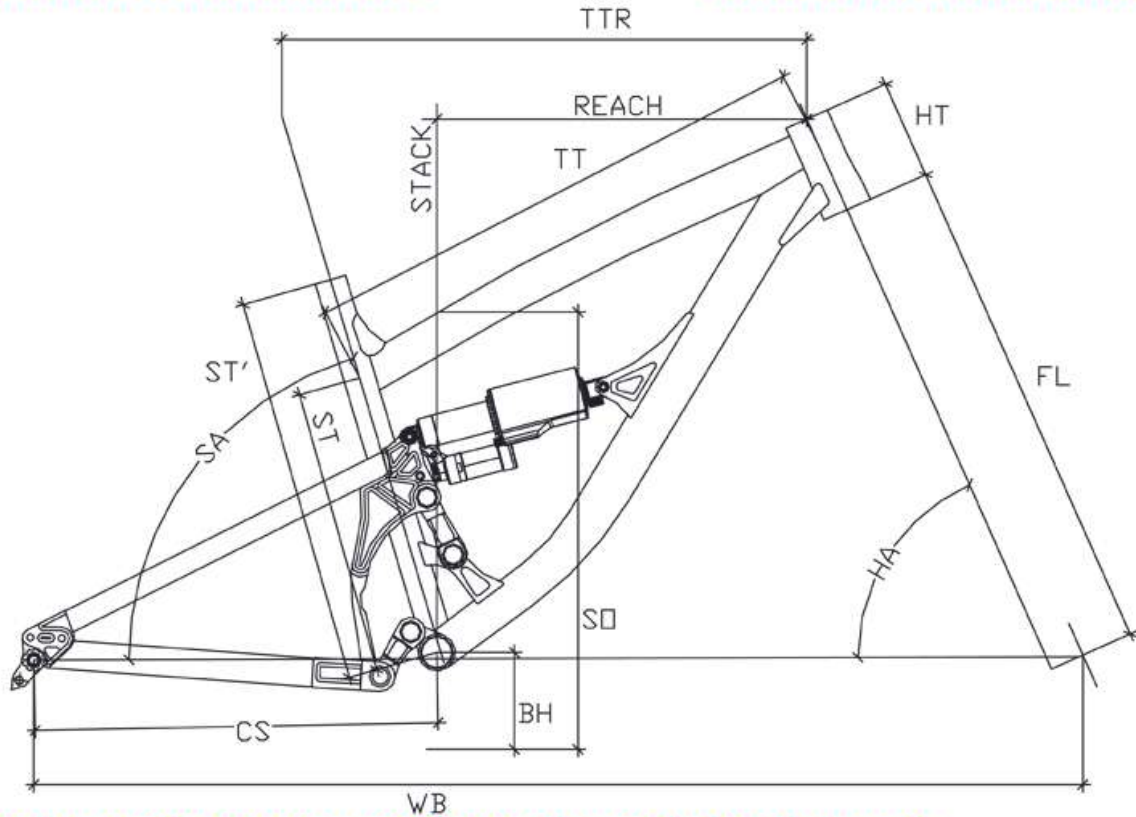


MDE 2015 FRAMES GEOMETRY

MDE DAMPER 650B 2015 GEOMETRY

Tech area



SIZE	ST	ST'	TTR	TT	SO	REACH	STACK	SA	HA	HT	CS	BH	WB	RIDER HT
S	308	390	565	555	722	395	589	73°	65,5°	107	445	356	1148	150-165cm
M	315	430	595	579	725	419	592	73°	65,5°	110	445	356	1173	165-175cm
L	319	460	615	603	728	443	597	73°	65,5°	115	445	356	1199	175-185cm
XL	340	490	640	622	741	467	610	73°	65,5°	120	445	356	1224	185-200cm

Geometry based on 555mm axle-to-crown (160mm fork)
Shock: Fox Float X CTD Kashima 222X66mm

MDE DAMPER (650B) 2015 FRAME SPECS

Max Fork travel: 180MM(27.5")

Rear Shock Size: 216mm X 63mm or 222x70mm

Shock Hardware: 40mm X 8mm rear, 22mm X 8mm front

Rear travel:160mm or 170mm

Headset (Top): 44mm ZERO STACK

Headset (Bottom): 49mm EXTERNAL CUP

BB Shell: 73mm BSA THREADED

Rear Brake Mount: 160mm POST MOUNT

Rear Dropouts:MDS system-135x10QR,**142X12mm**,148x12mm, 150x12mm (SRAM MAXLE STD)

Front Derailleur: Top pull-Top swing (tiraggio alto-fascetta bassa), D.34,9mm

ISCG Tabs : ISCG 03 and 05

Seatpost Diameter: 30.9mm

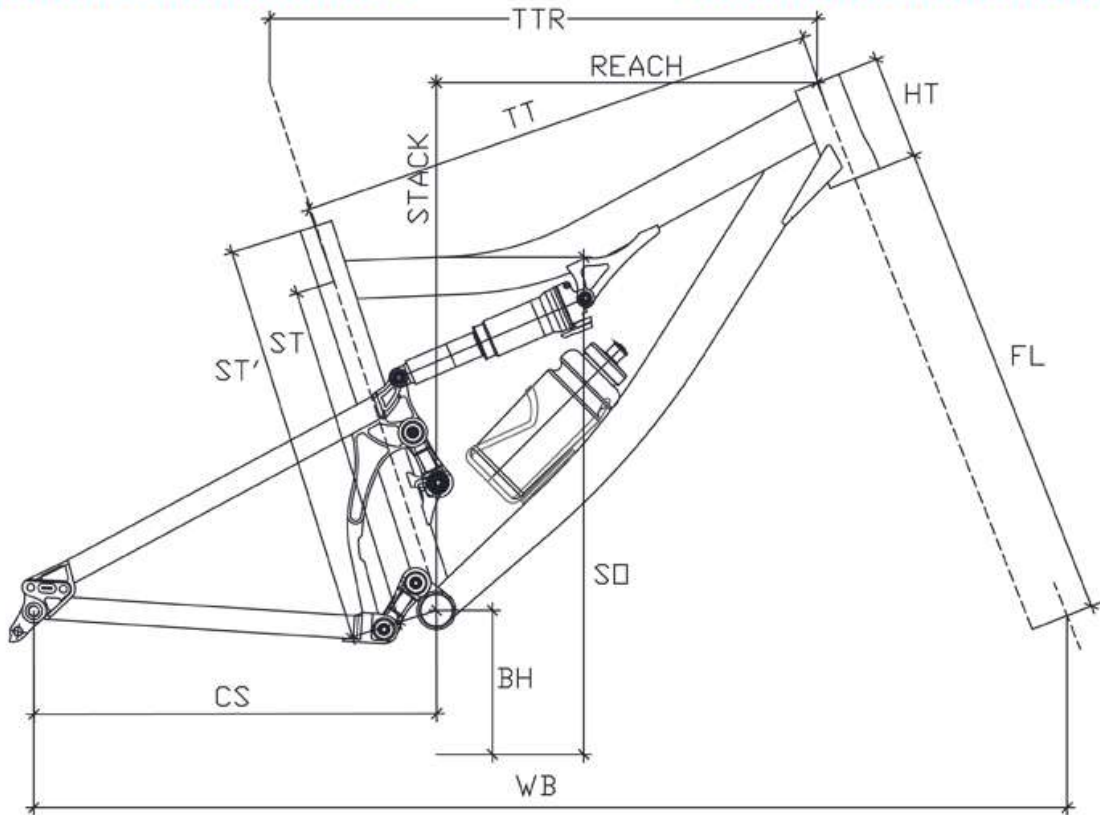
Seat Clamp: 34.9mm

Max Chainring Size: 36t Single or 38-26 Double

Max Tire Size: 27,5"(650B)X 2.5

MDE CARVE 7 (650B) 2015 GEOMETRY

Tech area



SIZE	ST	ST'	TTR	TT	SO	REACH	STACK	SA	HA	HT	CS	BH	WB	RIDER HT
S	343	390	560	547	705	388	597	73°	66,5°	107	439	348	1128	150-165cm
M	368	430	585	568	727	412	600	73°	66,5°	110	439	348	1153	165-175cm
L	399	460	605	586	748	431	605	73°	66,5°	115	439	348	1174	175-185cm
XL	399	490	625	605	750	449	610	73°	66,5°	120	439	348	1194	185-200cm

Geometry based on 544mm axle-to-crown (150mm fork)
Shock: Fox Float CTD Kashima

MDE CARVE 7 (650B) 2015 FRAME SPECS

Max Fork travel: 150MM(27.5")

Rear Shock Size: 200mm X 57mm

Shock Hardware: 40mm X 8mm rear, 22mm X 8mm front

Rear travel:150mm

Headset (Top): 44mm ZERO STACK

Headset (Bottom): 49mm EXTERNAL CUP

BB Shell: 73mm BSA THREADED

Rear Brake Mount: 160mm POST MOUNT

Rear Dropouts:MDS system-135x10QR,**142X12mm**,148x12mm, 150x12mm (SRAM MAXLE STD)

Front Derailleur: Top pull-Top swing (tiraggio alto-fascetta bassa), D.34,9mm

ISCG Tabs : ISCG 03 and 05

Seatpost Diameter: 30.9mm

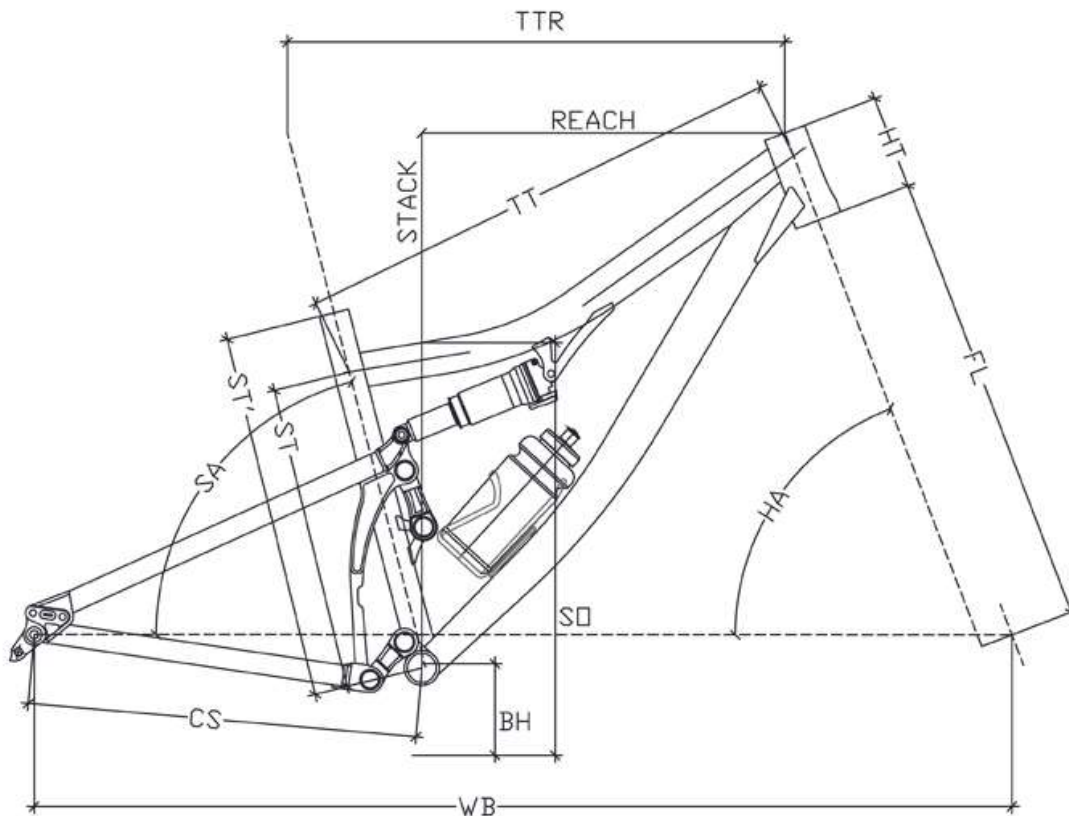
Seat Clamp: 34.9mm

Max Chainring Size: 36t Single or 38-26 Double

Max Tire Size: 27,5"(650B)X 2.5

MDE CARVE 9 (29) 2015 GEOMETRY

Tech area



SIZE	ST	ST'	TTR	TT	SO	REACH	STACK	SA	HA	HT	CS	BH	WB	RIDER HT
S	343	390	560	552	699	401	622	74°	68,5°	107	455	341	1129	150-165cm
M	368	430	585	573	727	425	625	74°	68,5°	110	455	341	1154	165-175cm
L	399	460	605	591	748	444	630	74°	68,5°	115	455	341	1175	175-185cm
XL	399	490	625	610	750	462	635	74°	68,5°	120	455	341	1195	185-200cm

Geometry based on 548mm axle-to-crown (140mm fork)
Shock: Fox Float CTD Kashima

MDE CARVE 9 (29) 2015 FRAME SPECS

Max Fork travel: 140MM(29")

Rear Shock Size: 190mm X 51mm

Shock Hardware: 40mm X 8mm rear, 22mm X 8mm front

Rear travel:127mm

Headset (Top): 44mm ZERO STACK

Headset (Bottom): 49mm EXTERNAL CUP

BB Shell: 73mm BSA THREADED

Rear Brake Mount: 160mm POST MOUNT

Rear Dropouts:MDS system-135x10QR,**142X12mm**,148x12mm, 150x12mm (SRAM MAXLE STD)

Front Derailleur: Top pull-Top swing (tiraggio alto-fascetta bassa), D.34,9mm

ISCG Tabs : ISCG 03 and 05

Seatpost Diameter: 30.9mm

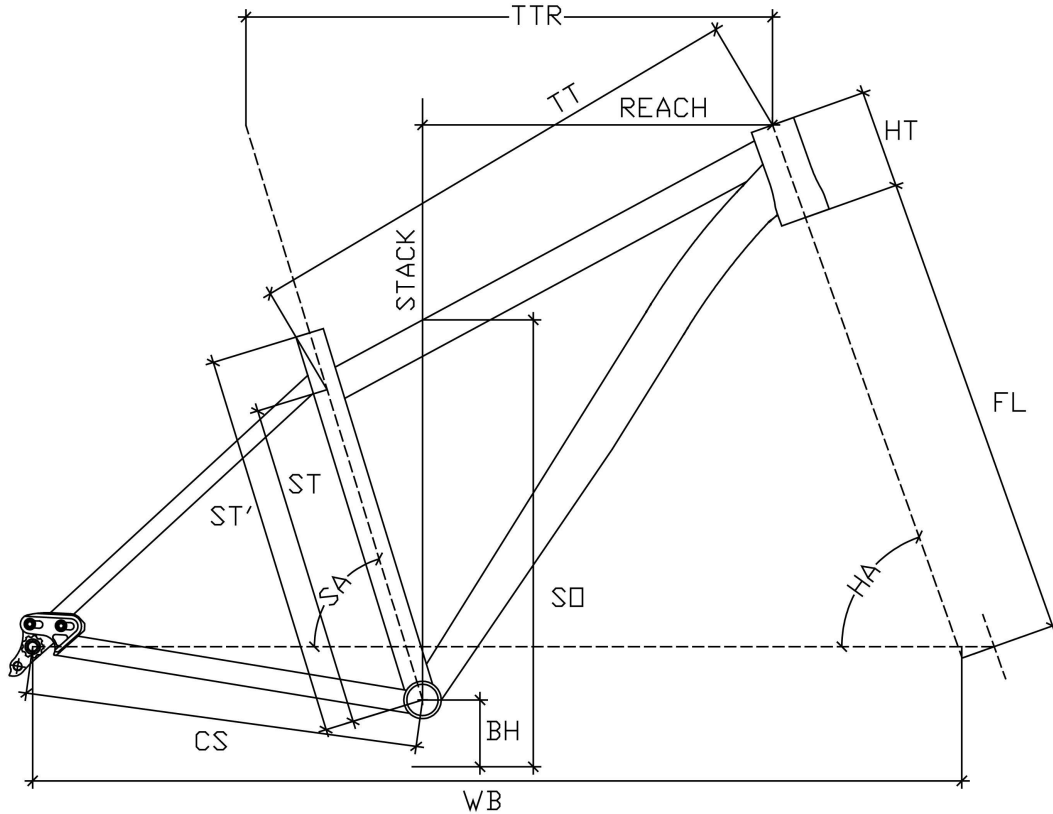
Seat Clamp: 34.9mm

Max Chainring Size: 36t Single or 38-26 Double

Max Tire Size: 29"X 2.3

MDE SLIDER 29 AND 650B 2015 GEOMETRY

Tech area



29" WHEELS GEOMETRY

SIZE	ST	ST'	TTR	TT	SO	REACH	STACK	SA	HA	HT	CS	BH	WB	RIDER HT
S	322	390	570	568	699	373	640	73°	69,5°	107	430/440	309	1060	150-168 _{cm}
M	363	430	590	576	735	392	643	73°	69,8°	110	430/440	309	1080	168-178 _{cm}
L	415	480	610	587	776	410	648	73°	69,8°	115	430/440	309	1100	178-188 _{cm}
XL	446	510	640	613	799	439	653	73°	69,8°	120	430/440	309	1130	188-200 _{cm}

Geometry based on 520mm axle-to-crown (120mm fork).

650B WHEELS GEOMETRY

SIZE	ST	ST'	TTR	TT	SO	REACH	STACK	SA	HA	HT	CS	BH	WB	RIDER HT
S	322	390	570	568	623	373	620	73°	69,2°	107	430/440	303	1060	150-168 _{cm}
M	363	430	590	576	720	392	623	73°	69,5°	110	430/440	303	1080	168-178 _{cm}
L	415	480	610	587	742	410	631	73°	69,5°	115	430/440	303	1100	178-188 _{cm}
XL	446	510	640	613	799	439	638	73°	69,5°	120	430/440	303	1130	188-200 _{cm}

Geometry based on 507mm axle-to-crown (120mm fork).

α MDE SLIDER 29 AND 650B 2015 FRAME SPECS

Max Fork travel: 140MM(27.5"), 130MM(29")

Headset (Top): 44mm ZERO STACK

Headset (Bottom): 49mm EXTERNAL CUP

BB Shell: 73mm BSA THREADED

Rear Brake Mount: 160mm POST MOUNT

Rear Dropouts: MDS system-135x10QR, **142X12mm**, 148x12mm, 150x12mm (SRAM MAXLE STD)

Front Derailleur: Top pull-Top swing (tiraggio alto-fascetta bassa), D.34,9mm

ISCG Tabs : None

Seatpost Diameter: 30.9mm

Seat Clamp: 34.9mm

Max Chainring Size: 36t Single or 38-26 Double

Max Tire Size: 29"X 2.3 or 27,5"x2.5