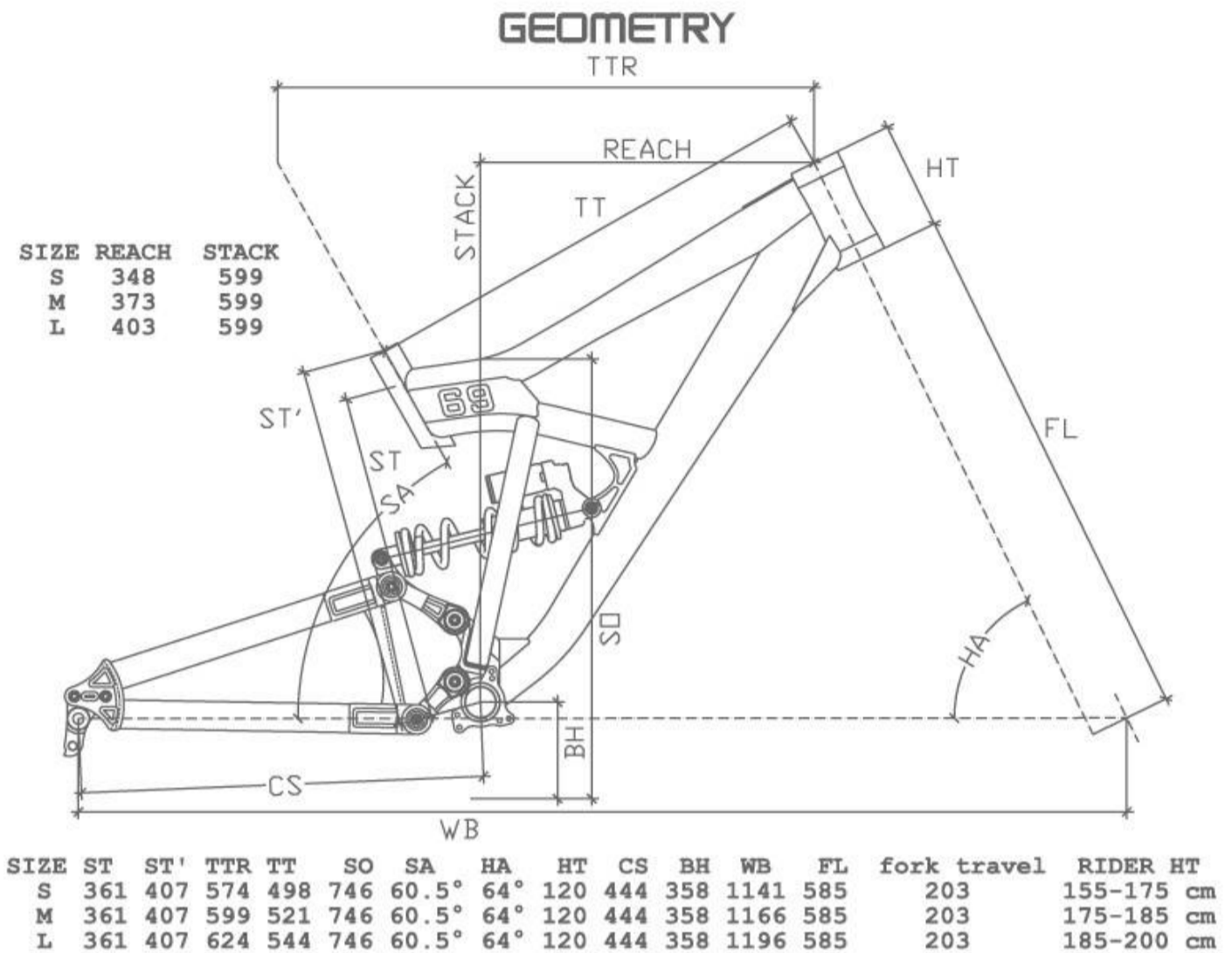


MDE 2012 FRAMES TECH INFO

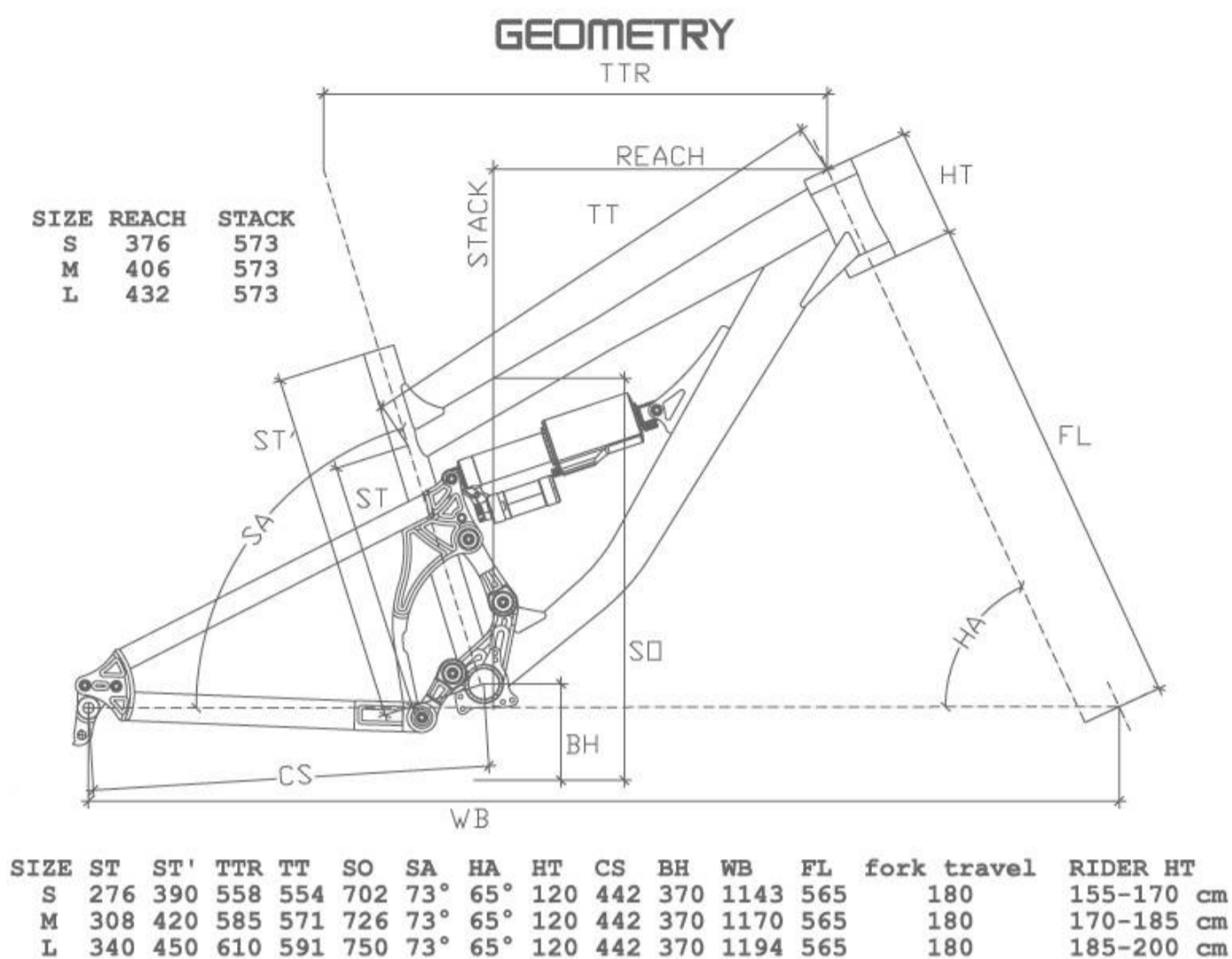
MDE 69 DH 2012 GEOMETRY



MDE 69 DH 2012 FRAME SPECS

- Max Fork travel: 200MM(26"),
- Rear Shock Size: 241mm X 76mm
- Shock Hardware: 22mm X 8mm rear, 22mm X 8mm front
- Rear travel: 210mm
- Headset (Top): 49mm ZERO STACK (1,5")
- Headset (Bottom): 49mm ZERO STACK (1,5")
- BB Shell: 83mm BSA THREADED
- Rear Brake Mount: 160mm POST MOUNT
- Rear Axle: 150X12mm Thru
- Front Derailleur: NONE
- ISCG Tabs : ISCG 03 and 05
- Seatpost Diameter: 30mm
- Seat Clamp: 34.9mm
- Max Chainring Size: 42T SINGLE
- Max Tire Size: 27.5"(650B)X 2.5

MDE PUSHER (26) 2012 GEOMETRY



MDE PUSHER (26) 2012 FRAME SPECS

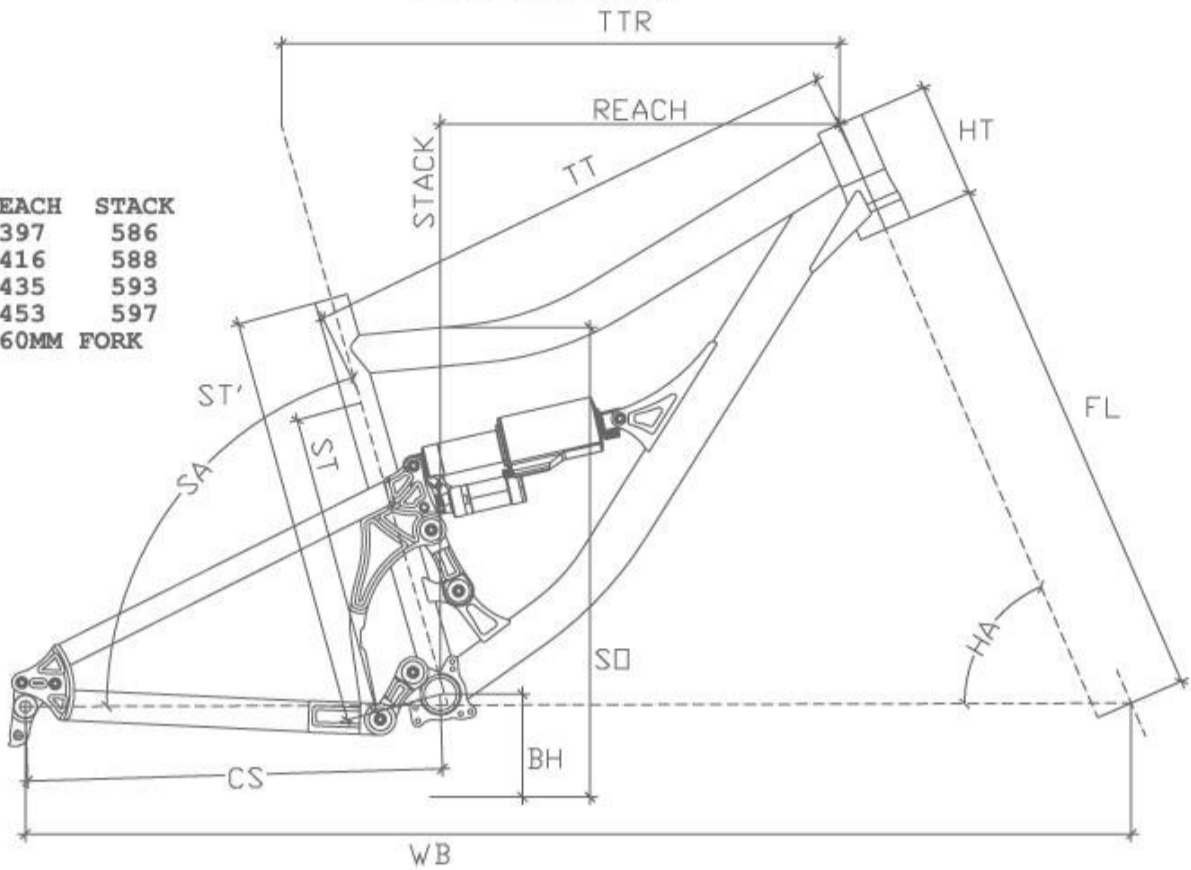
- Max Fork travel: 200MM(26")
- Rear Shock Size: 241mm X 76mm or 222x70mm
- Shock Hardware: 40mm X 8mm rear, 22mm X 8mm front
- Rear travel:190mm
- Headset (Top): 49mm ZERO STACK (1,5")
- Headset (Bottom): 49mm ZERO STACK (1,5")
- BB Shell: 83mm BSA THREADED
- Rear Brake Mount: 160mm POST MOUNT
- Rear Dropouts:MDS system-135x10QR,142X12mm,148x12mm, **150x12mm** (SRAM MAXLE STD)
- Front Derailleur: Top pull-Top swing (tiraggio alto-fascetta bassa), D.34,9mm
- ISCG Tabs : ISCG 03 and 05
- Seatpost Diameter: 30.9mm
- Seat Clamp: 34.9mm
- Max Chaining Size: 36t Single or 38-26 Double
- Max Tire Size: 26"X 2.5

MDE DAMPER SX (26) 2012 GEOMETRY

GEOMETRY

SIZE	REACH	STACK
S	397	586
M	416	588
L	435	593
XL	453	597

WITH 160MM FORK



WHIT 160MM FORK, 222X70MM REAR SHOX (170MM) AND WHIT STANDARD EXTERNAL HEADSET.

SIZE	ST	ST'	TTR	TT	SO	SA	HA	HT	CS	BH	WB	FL	fork travel	RIDER HT
S	326	390	560	551	701	73.5°	67°	107	438	353	1132	545	160	150-165 cm
M	368	430	580	564	736	73.5°	67°	110	438	353	1152	545	160	165-175 cm
L	415	460	600	581	759	73.5°	67°	115	438	353	1173	545	160	175-185 cm
XL	429	490	620	601	783	73.5°	67°	120	438	353	1187	545	160	185-200 cm

WHIT ZERO STACK LOWER HEADSET SA=+0.5.

OTHER GEOMETRY SETUP

WHIT 160MM FORK, 216X63MM REAR SHOX (160MM) AND WHIT STANDARD EXTERNAL HEADSET.

SIZE	ST	ST'	TTR	TT	SO	SA	HA	HT	CS	BH	WB	FL	fork travel	RIDER HT
S	326	390	561	551	694	73°	66.5°	107	438	349	1136	545	160	150-165 cm
M	368	430	581	564	729	73°	66.5°	110	438	349	1156	545	160	165-175 cm
L	415	460	601	581	752	73°	66.5°	115	438	349	1177	545	160	175-185 cm
XL	429	490	621	601	776	73°	66.5°	120	438	349	1191	545	160	185-200 cm

WHIT ZERO STACK LOWER HEADSET SA=+0.5.

WHIT 170MM FORK, 222X70MM REAR SHOX (170MM) AND WHIT STANDARD EXTERNAL HEADSET.

SIZE	ST	ST'	TTR	TT	SO	SA	HA	HT	CS	BH	WB	FL	fork travel	RIDER HT
S	326	390	562	551	705	73°	66.5°	107	435	357	1138	555	170	150-165 cm
M	368	430	582	564	740	73°	66.5°	110	435	357	1158	555	170	165-175 cm
L	415	460	602	581	763	73°	66.5°	115	435	357	1179	555	170	175-185 cm
XL	429	490	622	601	787	73°	66.5°	120	435	357	1193	555	170	185-200 cm

WHIT ZERO STACK LOWER HEADSET SA=+0.5.

WHIT 180MM FORK, 222X70MM REAR SHOX (170MM) AND WHIT STANDARD EXTERNAL HEADSET.

SIZE	ST	ST'	TTR	TT	SO	SA	HA	HT	CS	BH	WB	FL	fork travel	RIDER HT
S	326	390	562	551	709	72.5°	66°	107	435	361	1142	565	180	150-165 cm
M	368	430	582	564	744	72.5°	66°	110	435	361	1162	565	180	165-175 cm
L	415	460	602	581	767	72.5°	66°	115	435	361	1183	565	180	175-185 cm
XL	429	490	622	601	791	72.5°	66°	120	435	361	1197	565	180	185-200 cm

WHIT ZERO STACK LOWER HEADSET SA=+0.5.



MDE DAMPER SX (26) 2012 FRAME SPECS

Max Fork travel: 180MM(26")

Rear Shock Size: 216mm X 63mm or 222x70mm

Shock Hardware: 40mm X 8mm rear, 22mm X 8mm front

Rear travel: 160mm or 170mm

Headset (Top): 44mm ZERO STACK

Headset (Bottom): 49mm EXTERNAL CUP

BB Shell: 73mm BSA THREADED

Rear Brake Mount: 160mm POST MOUNT

Rear Dropouts: MDS system-135x10QR, 142X12mm, 148x12mm, **150x12mm** (SRAM MAXLE STD)

Front Derailleur: Top pull-Top swing (tiraggio alto-fascetta bassa), D.34,9mm

ISCG Tabs : ISCG 03 and 05

Seatpost Diameter: 30.9mm

Seat Clamp: 34.9mm

Max Chaining Size: 36t Single or 38-26 Double

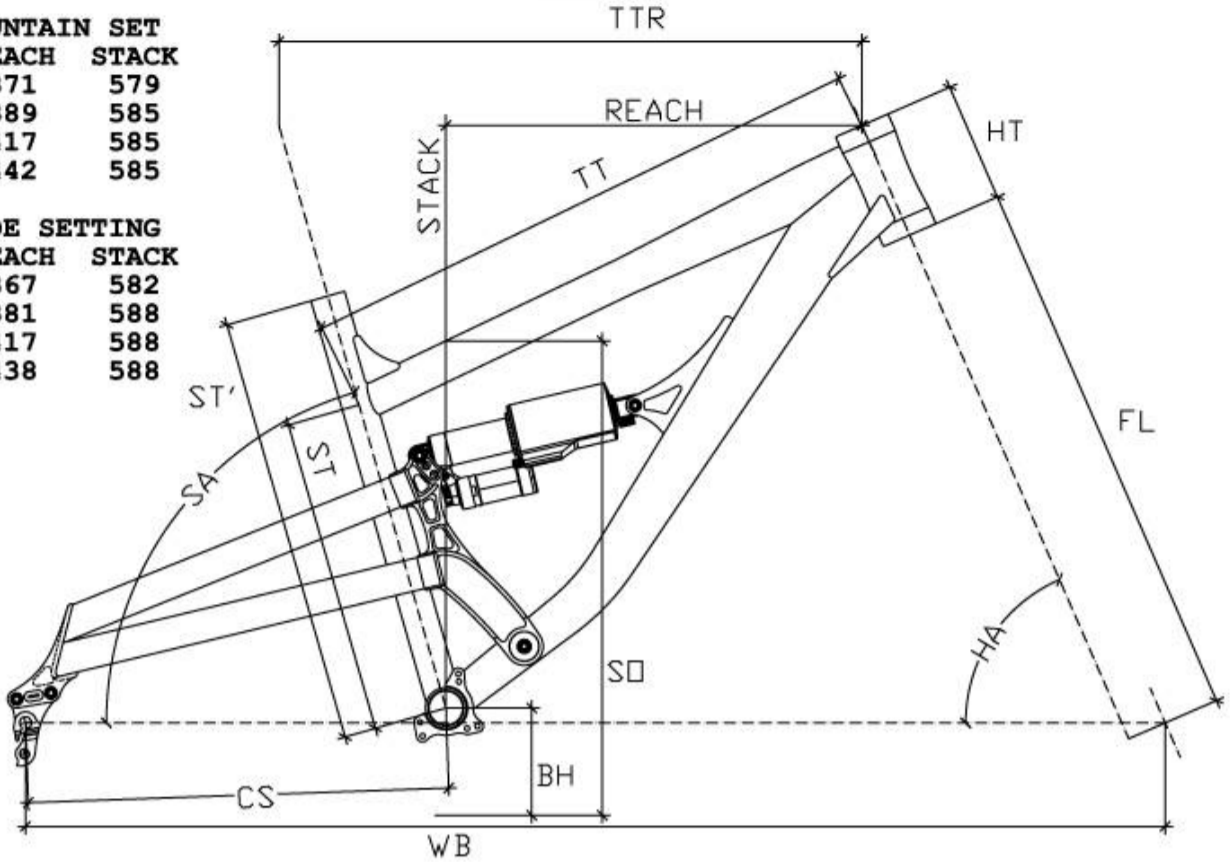
Max Tire Size: 26" X 2.5

MDE BOLDER SX (26) 2012 GEOMETRY

GEOMETRY

ALL-MOUNTAIN SET		
SIZE	REACH	STACK
XS	371	579
S	389	585
M	417	585
L	442	585

FREERIDE SETTING		
SIZE	REACH	STACK
XS	367	582
S	381	588
M	417	588
L	438	588



2011 GEOMETRY ALL-MOUNTAIN SETTING

SIZE	ST	ST'	TTR	TT	SO	SA	HA	HT	CS	BH	WB	FL	fork travel	RIDER HT
XS	325	370	540	524	710	74°	66°	110	426	345	1100	545	160	145-160 cm
S	345	390	558	534	723	74°	66°	120	426	350	1118	545	160	160-170 cm
M	385	430	585	561	730	74°	66°	120	426	350	1142	545	160	170-185 cm
L	425	480	610	585	765	74°	66°	120	426	350	1166	545	160	185-200 cm

GEOMETRY WITH THE REAR SHOX IN THE REAR SWINGARM IN THE TOP FIXING POINT (160MM)

2011 GEOMETRY FREERIDE SETTING

SIZE	ST	ST'	TTR	TT	SO	SA	HA	HT	CS	BH	WB	FL	fork travel	RIDER HT
XS	325	370	542	524	730	73.5°	65.5°	110	422	365	1105	565	180	145-160 cm
S	345	390	560	534	743	73.5°	65.5°	120	422	370	1123	565	180	160-170 cm
M	385	430	590	561	750	73.5°	65.5°	120	422	370	1149	565	180	170-185 cm
L	425	480	615	585	785	73.5°	65.5°	120	422	370	1173	565	180	185-200 cm

GEOMETRY WITH THE REAR SHOX IN THE REAR SWINGARM IN THE LOW FIXING POINT (180MM)



MDE BOLDER SX (26) 2012 FRAME SPECS

Max Fork travel: 180MM(26")

Rear Shock Size: 222x70mm

Shock Hardware: 50mm X 8mm rear, 22mm X 8mm front

Rear travel:160mm-170mm-180mm

Headset (Top): 49mm ZERO STACK (1,5")

Headset (Bottom): 49mm ZERO STACK (1,5")

BB Shell: 73mm BSA THREADED

Rear Brake Mount: 160mm POST MOUNT

Rear Dropouts:MDS system-135x10QR,142X12mm,148x12mm, **150x12mm** (SRAM MAXLE STD)

Front Derailleur: Top pull-Top swing (tiraggio alto-fascetta bassa), D.34,9mm

ISCG Tabs : ISCG 03 and 05

Seatpost Diameter: 30.9mm

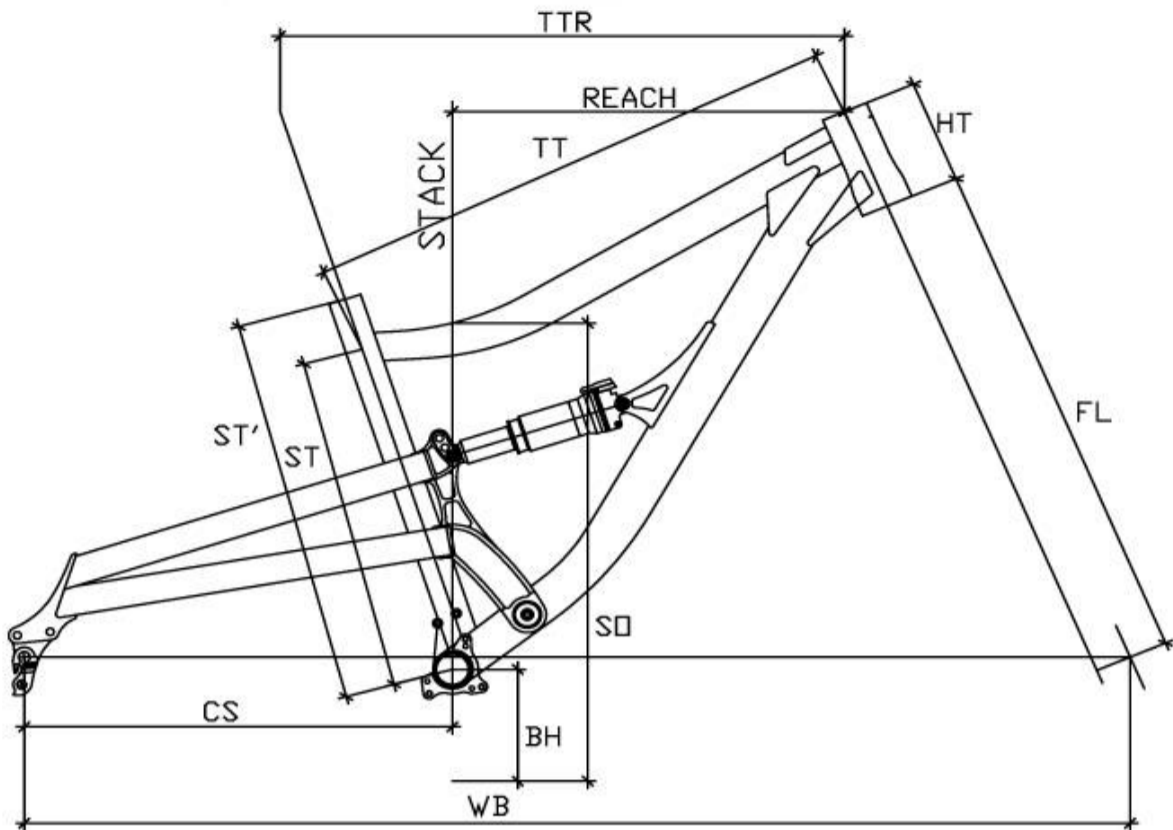
Seat Clamp: 34.9mm

Max Chaining Size: 36t Single or 38-26 Double

Max Tire Size: 26"X 2.5

MDE BOLDER 29 2012 GEOMETRY

GEOMETRY



SIZE	ST	ST'	TTR	TT	SO	REACH	STACK	SA	HA	HT	CS	BH	WB	RIDER HT
S	342	400	565	550	721	383	626	72°	68°	110	445	356	1123	160-170cm
M	382	440	595	571	754	412	630	72°	68°	115	445	356	1153	170-183cm
L	432	490	625	597	791	440	635	72°	68°	120	445	356	1183	183-200cm

WITH 140MM FORK (520MM FORK LENGHT) AND 140MM REAR TRAVEL SETUP



MDE BOLDER 29 2012 FRAME SPECS

Max Fork travel: 140MM(29")

Rear Shock Size: 190mm X 51mm

Shock Hardware: 40mm X 8mm rear, 22mm X 8mm front

Rear travel:120mm-130mm-140mm

Headset (Top): 44mm ZERO STACK

Headset (Bottom): 49mm EXTERNAL CUP

BB Shell: 73mm BSA THREADED

Rear Brake Mount: 160mm P.M.

Rear Dropouts:MDS system-135x10QR,**142X12mm**,148x12mm, 150x12mm (SRAM MAXLE STD)

Front Derailleur: Bottom pull-Direct mount E-type (tiraggio basso-attacco diretto E-type), D.34,9mm

ISCG Tabs : ISCG 03 and 05

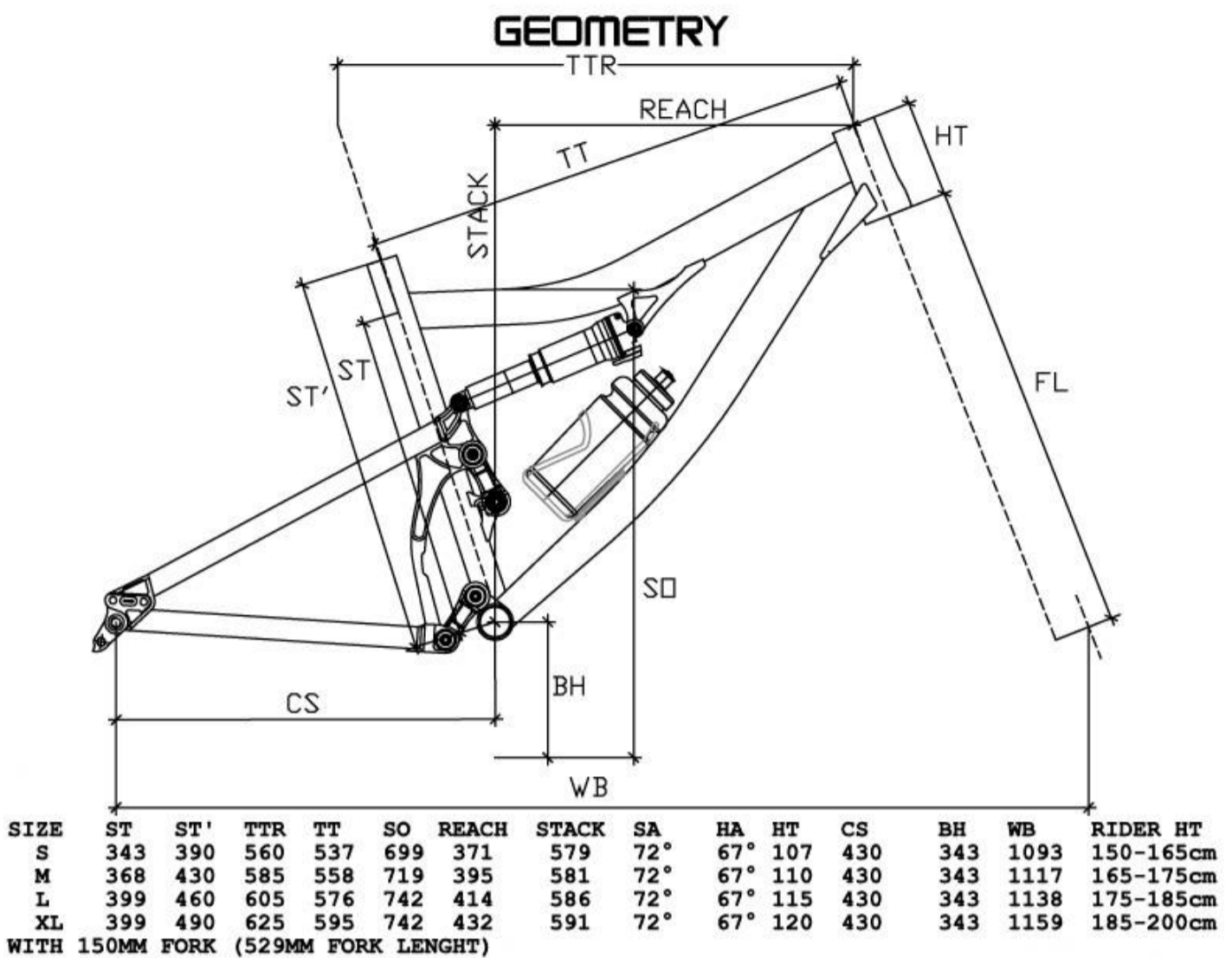
Seatpost Diameter: 30,9mm

Seat Clamp: 34,9mm

Max Chainring Size: 36t Single or 38-26 Double

Max Tire Size: 29"X 2.35

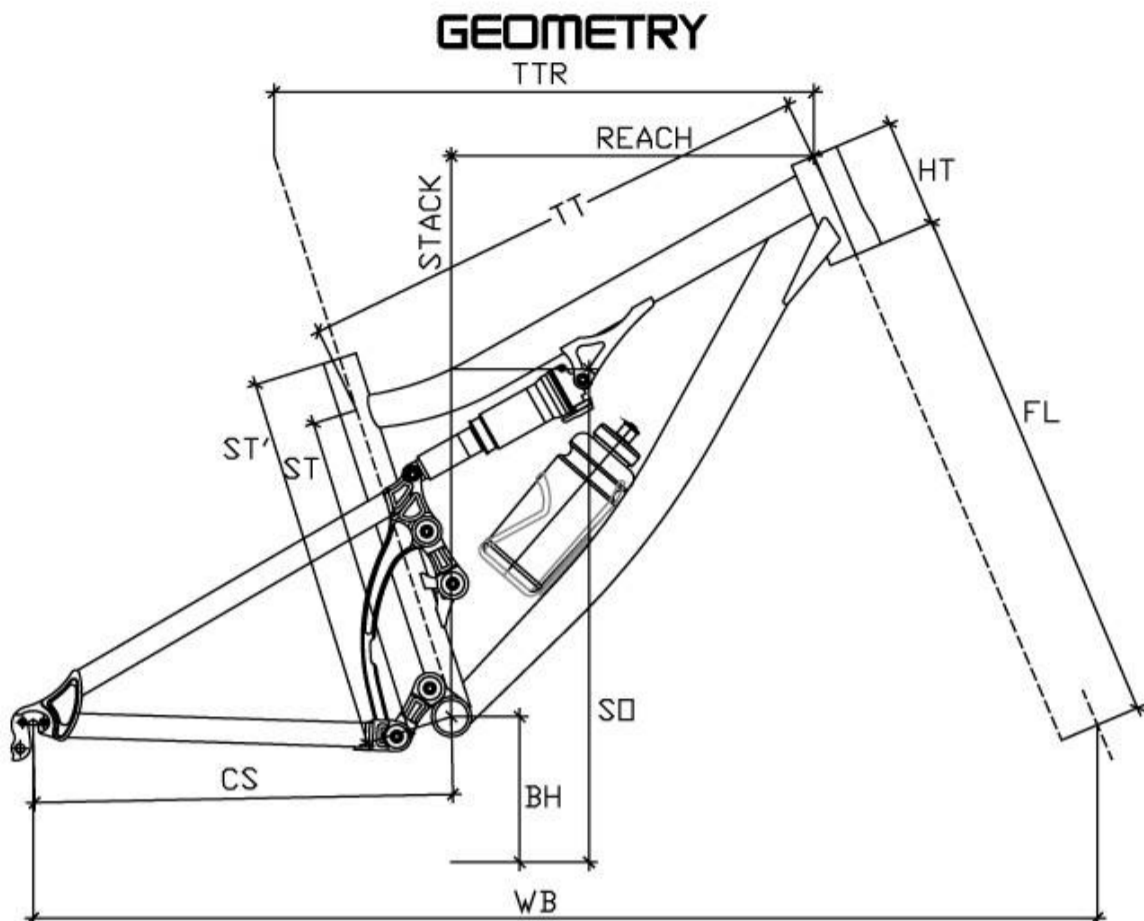
MDE CARVER AM(26) 2012 GEOMETRY



MDE CARVE AM (26) 2012 FRAME SPECS

- Max Fork travel: 150MM(26")
- Rear Shock Size: 200mm X 57mm
- Shock Hardware: 40mm X 8mm rear, 22mm X 8mm front
- Rear travel:152mm
- Headset (Top): 44mm ZERO STACK
- Headset (Bottom): 49mm EXTERNAL CUP
- BB Shell: 73mm BSA THREADED
- Rear Brake Mount: 160mm I.S
- Rear Dropouts:MDS system-135x10QR,**142X12mm**,148x12mm, 150x12mm (SRAM MAXLE STD)
- Front Derailleur: Top pull-Top swing (tiraggio alto-fascetta bassa), D.34,9mm
- ISCG Tabs : None
- Seatpost Diameter: 30.9mm
- Seat Clamp: 34.9mm
- Max Chainring Size: 36t Single or 38-26 Double
- Max Tire Size: 26"X 2.30

MDE CARVE XC (26) 2012 GEOMETRY



SIZE	ST	ST'	TTR	TT	SO	REACH	STACK	SA	HA	HT	CS	BH	WB	RIDER HT
S	333	390	560	544	683	398	562	73.5°	69°	107	430	332	1096	150-165cm
M	373	430	590	569	708	427	565	73.5°	69°	110	430	332	1126	165-175cm
L	423	480	610	589	749	446	569	73.5°	69°	115	430	332	1147	175-185cm
XL	429	510	630	608	752	465	573	73.5°	69°	120	430	332	1167	185-200cm

WITH 120MM FORK (493MM FORK LENGHT)

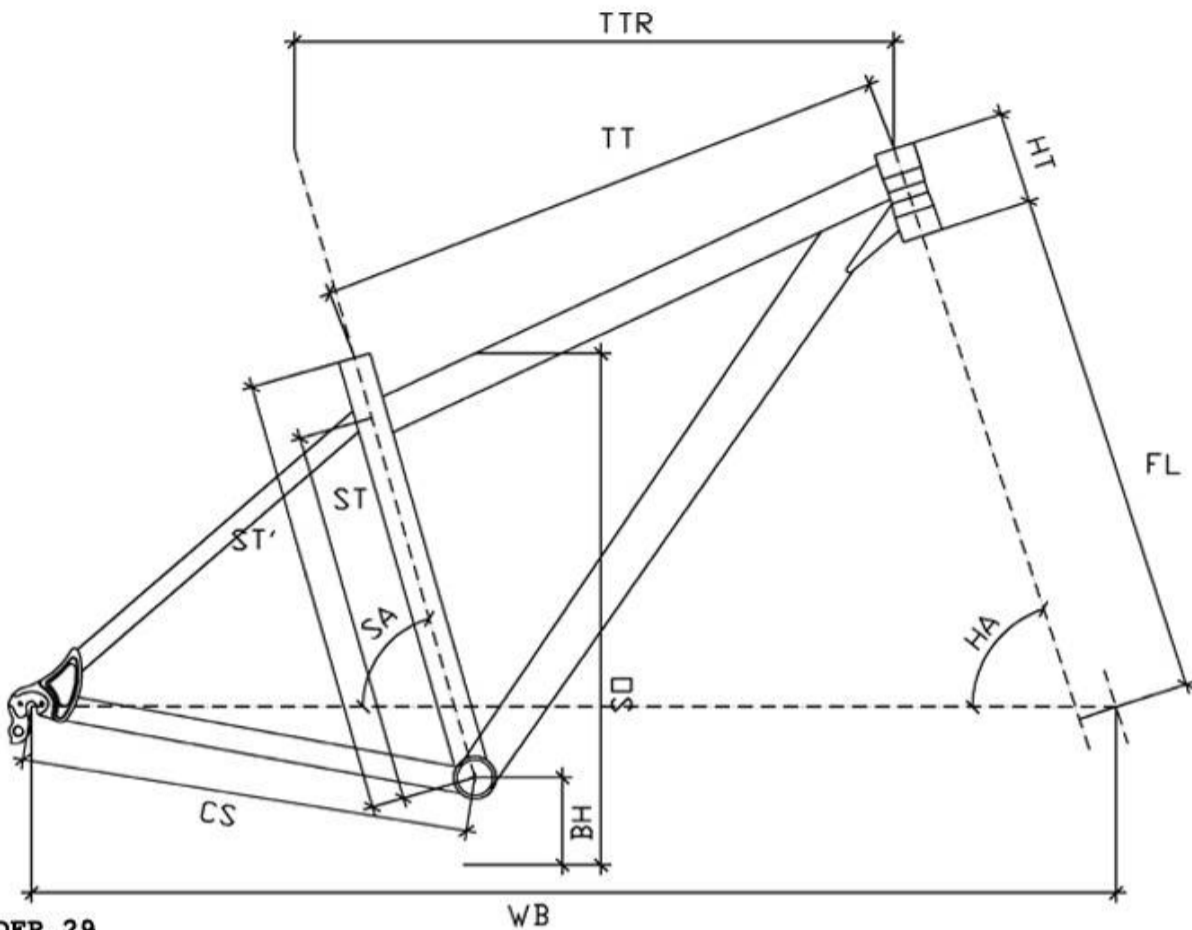


MDE CARVE XC (26) 2012 FRAME SPECS

- Max Fork travel: 140MM(26")
- Rear Shock Size: 190mm X 51mm
- Shock Hardware: 40mm X 8mm rear, 22mm X 8mm front
- Rear travel:127mm
- Headset (Top): 44mm ZERO STACK
- Headset (Bottom): 49mm EXTERNAL CUP
- BB Shell: 73mm BSA THREADED
- Rear Brake Mount: 160mm I.S
- Rear Dropouts: **135x10QR**
- Front Derailleur: Top pull-Top swing (tiraggio alto-fascetta bassa), D.34,9mm
- ISCG Tabs : None
- Seatpost Diameter: 30.9mm
- Seat Clamp: 34.9mm
- Max Chainring Size: 36t Single or 38-26 Double or 48-36-26 Triple
- Max Tire Size: 26"X 2.30

MDE SLIDER 29 2012 GEOMETRY

GEOMETRY



SLIDER 29

SIZE	ST	ST'	TTR	TT	SO	REACH	STACK	SA	HA	HT	CS	BH	WB	RIDER HT
S	323	390	570	561	680	--	--	73°	70.5°	107	442	308	1032	155-168cm
M	365	430	590	573	718	--	--	73°	71°	110	442	308	1048	168-178cm
L	416	480	610	583	762	--	--	73°	71°	115	442	308	1058	178-188cm
XL	447	510	630	606	787	--	--	73°	71°	120	442	308	1070	188-200cm

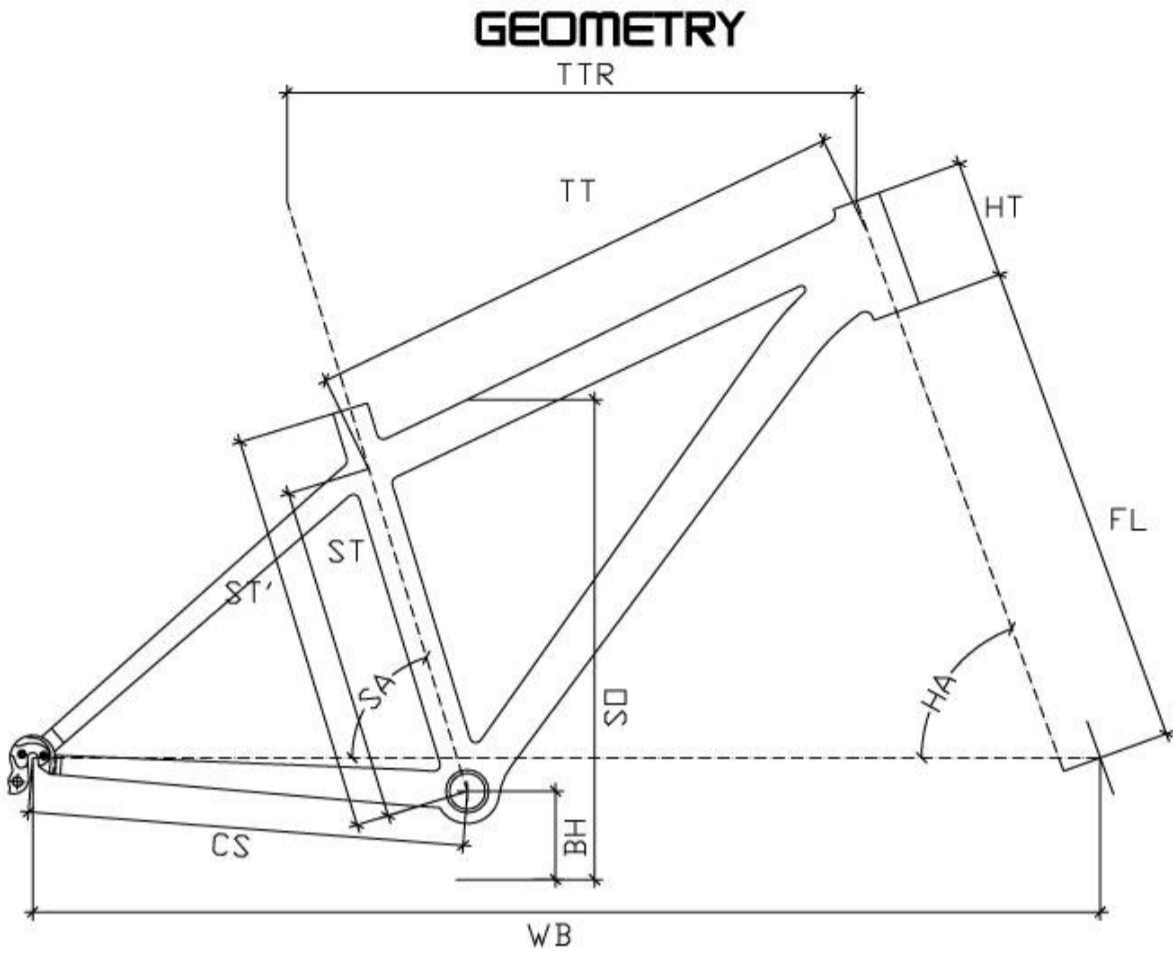
WITH 100MM FORK (506MM FORK LENGHT)
SINGLE SPEED VERSION CS=435-447



MDE SLIDER 29 2012 FRAME SPECS

- Max Fork travel: 120MM(29")
- Headset (Top): 34mm EXTERNAL CUP (1" 1/8)
- Headset (Bottom): 34mm EXTERNAL CUP (1" 1/8)
- BB Shell: 73mm BSA THREADED
- Rear Brake Mount: 160mm I.S
- Rear Dropouts: **135x10QR**
- Front Derailleur: Top pull-Top swing (tiraggio alto-fascetta bassa), D.31,8mm
- ISCG Tabs : None
- Seatpost Diameter: 27,2mm
- Seat Clamp: 31,8mm
- Max Chaining Size: 36t Single or 38-26 Double or 48-36-26 Triple
- Max Tire Size: 29"X 2.2

MDE SLIDER CARBON 29 2011 GEOMETRY



SIZE	ST	ST'	TTR	TT	SO	REACH	STACK	SA	HA	HT	CS	BH	WB	RIDER HT
17	385	450	590	565	723	--	--	73°	70.5°	112	445	312	1095	168-175cm
18	403	468	605	580	753	--	--	73°	70.5°	112	445	312	1110	175-183cm
19	430	495	620	595	771	--	--	73°	70.8°	120	445	312	1125	183-191cm
20	455	520	635	610	792	--	--	73°	70.8°	122	445	312	1140	191-199cm
21	480	545	650	625	818	--	--	73°	71.0°	122	445	312	1155	199-210cm

WITH 100MM FORK (506MM FORK LENGHT)



MDE SLIDER CARBON 29 2011 FRAME SPECS

- Max Fork travel: 120MM(29")
- Headset (Top): Integrated (1" 1/8)
- Headset (Bottom): Integrated (1" 1/8)
- BB Shell: 68mm BSA THREADED or BB30
- Rear Brake Mount: 160mm I.S
- Rear Dropouts: **135x10QR**
- Front Derailleur: Top pull-Top swing (tiraggio alto-fascetta bassa), D.34,9mm
- ISCG Tabs : None
- Seatpost Diameter: 31,6mm
- Seat Clamp: 34,9mm
- Max Chaining Size: 36t Single or 38-26 Double or 48-36-26 Triple
- Max Tire Size: 29"X 2.2