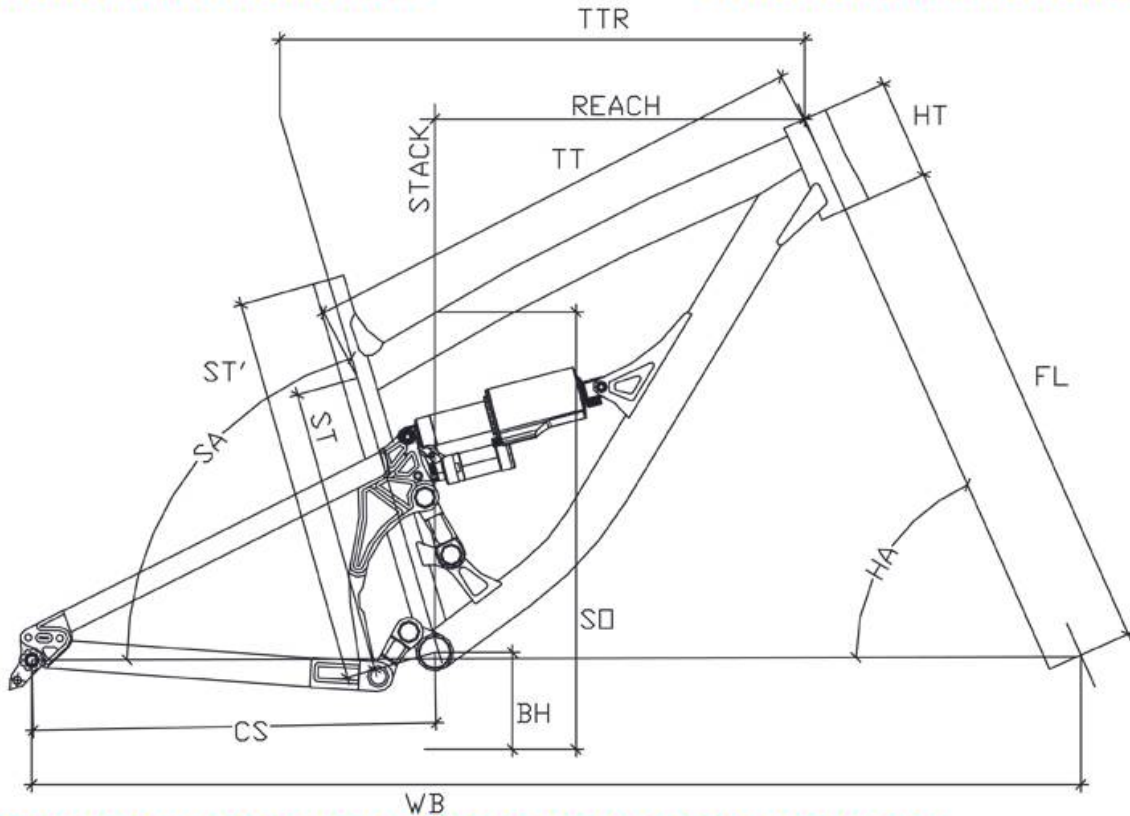


# MDE 2015 FRAMES GEOMETRY

## MDE DAMPER 650B 2015 GEOMETRY

### Tech area

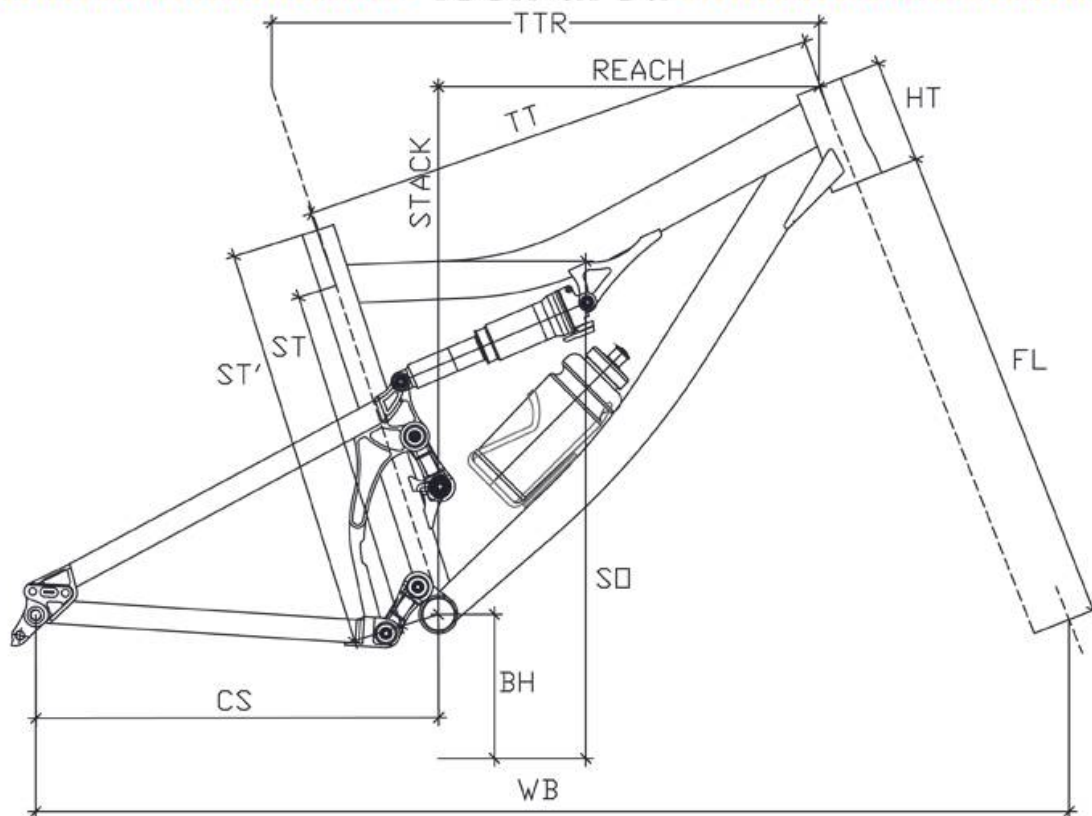


SIZE	ST	ST'	TTR	TT	SO	REACH	STACK	SA	HA	HT	CS	BH	WB	RIDER HT
S	308	390	565	555	722	395	589	73°	65,5°	107	445	356	1148	150-165cm
M	315	430	595	579	725	419	592	73°	65,5°	110	445	356	1173	165-175cm
L	319	460	615	603	728	443	597	73°	65,5°	115	445	356	1199	175-185cm
XL	340	490	640	622	741	467	610	73°	65,5°	120	445	356	1224	185-200cm

Geometry based on 555mm axle-to-crown (160mm fork)  
 Shock: Fox Float X CTD Kashima 222X66mm

# MDE CARVE 7 (650B) 2015 GEOMETRY

## Tech area

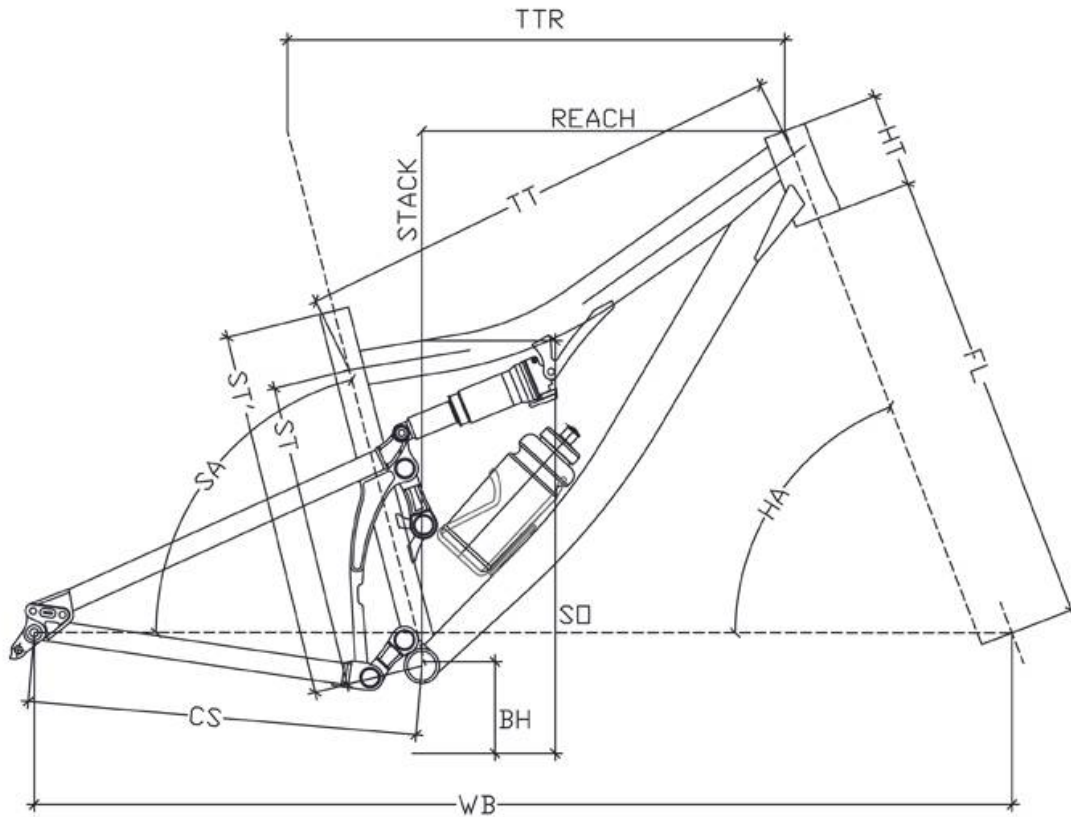


SIZE	ST	ST'	TTR	TT	SO	REACH	STACK	SA	HA	HT	CS	BH	WB	RIDER HT
S	343	390	560	547	705	388	597	73°	66,5°	107	439	348	1128	150-165cm
M	368	430	585	568	727	412	600	73°	66,5°	110	439	348	1153	165-175cm
L	399	460	605	586	748	431	605	73°	66,5°	115	439	348	1174	175-185cm
XL	399	490	625	605	750	449	610	73°	66,5°	120	439	348	1194	185-200cm

Geometry based on 544mm axle-to-crown (150mm fork)  
Shock: Fox Float CTD Kashima

# MDE CARVE 9 (29) 2015 GEOMETRY

## Tech area

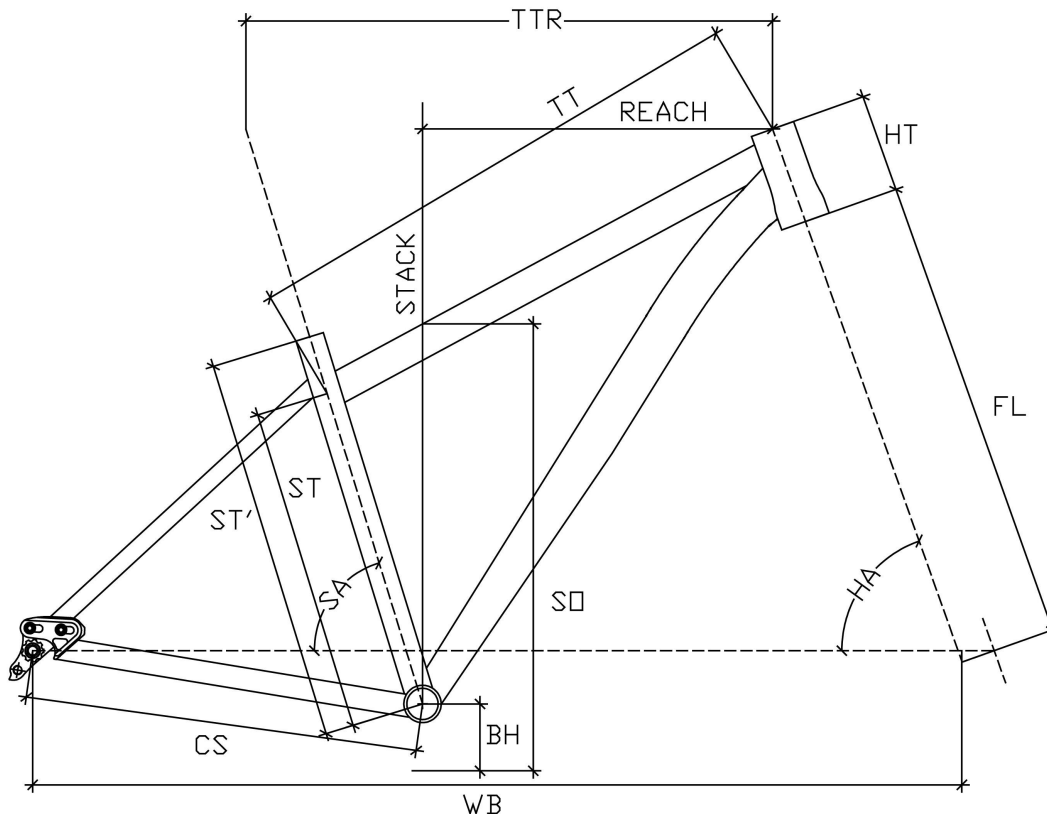


SIZE	ST	ST'	TTR	TT	SO	REACH	STACK	SA	HA	HT	CS	BH	WB	RIDER HT
S	343	390	560	552	699	401	622	74°	68,5°	107	455	341	1129	150-165cm
M	368	430	585	573	727	425	625	74°	68,5°	110	455	341	1154	165-175cm
L	399	460	605	591	748	444	630	74°	68,5°	115	455	341	1175	175-185cm
XL	399	490	625	610	750	462	635	74°	68,5°	120	455	341	1195	185-200cm

Geometry based on 548mm axle-to-crown (140mm fork)  
Shock: Fox Float CTD Kashima

# MDE SLIDER 29 AND 650B 2015 GEOMETRY

## Tech area



### 29" WHEELS GEOMETRY

SIZE	ST	ST'	TTR	TT	SO	REACH	STACK	SA	HA	HT	CS	BH	WB	RIDER HT
S	322	390	570	568	699	373	640	73°	69,5°	107	430/440	309	1060	150-168cm
M	363	430	590	576	735	392	643	73°	69,8°	110	430/440	309	1080	168-178cm
L	415	480	610	587	776	410	648	73°	69,8°	115	430/440	309	1100	178-188cm
XL	446	510	640	613	799	439	653	73°	69,8°	120	430/440	309	1130	188-200cm

Geometry based on 520mm axle-to-crown (120mm fork).

### 650B WHEELS GEOMETRY

SIZE	ST	ST'	TTR	TT	SO	REACH	STACK	SA	HA	HT	CS	BH	WB	RIDER HT
S	322	390	570	568	623	373	620	73°	69,2°	107	430/440	303	1060	150-168cm
M	363	430	590	576	720	392	623	73°	69,5°	110	430/440	303	1080	168-178cm
L	415	480	610	587	742	410	631	73°	69,5°	115	430/440	303	1100	178-188cm
XL	446	510	640	613	799	439	638	73°	69,5°	120	430/440	303	1130	188-200cm

Geometry based on 507mm axle-to-crown (120mm fork).