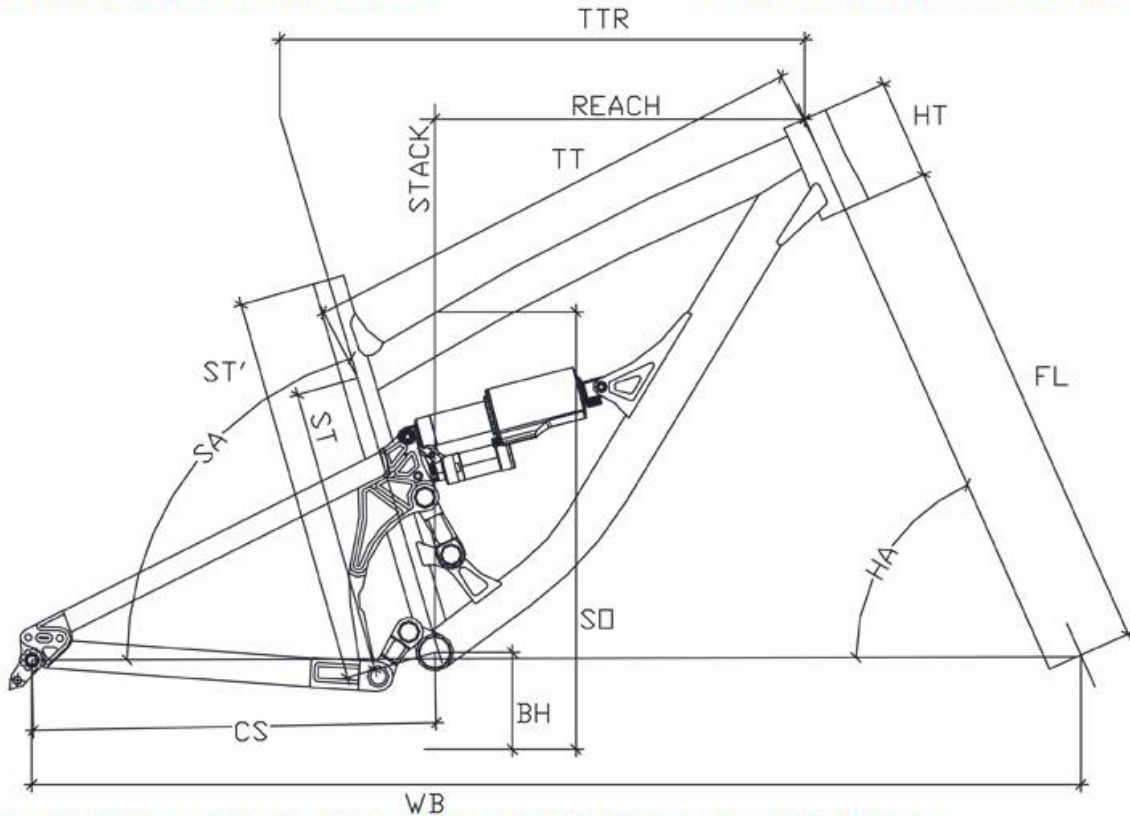


MDE 2014 FRAMES GEOMETRY

MDE DAMPER 650B 2014 GEOMETRY

Tech area

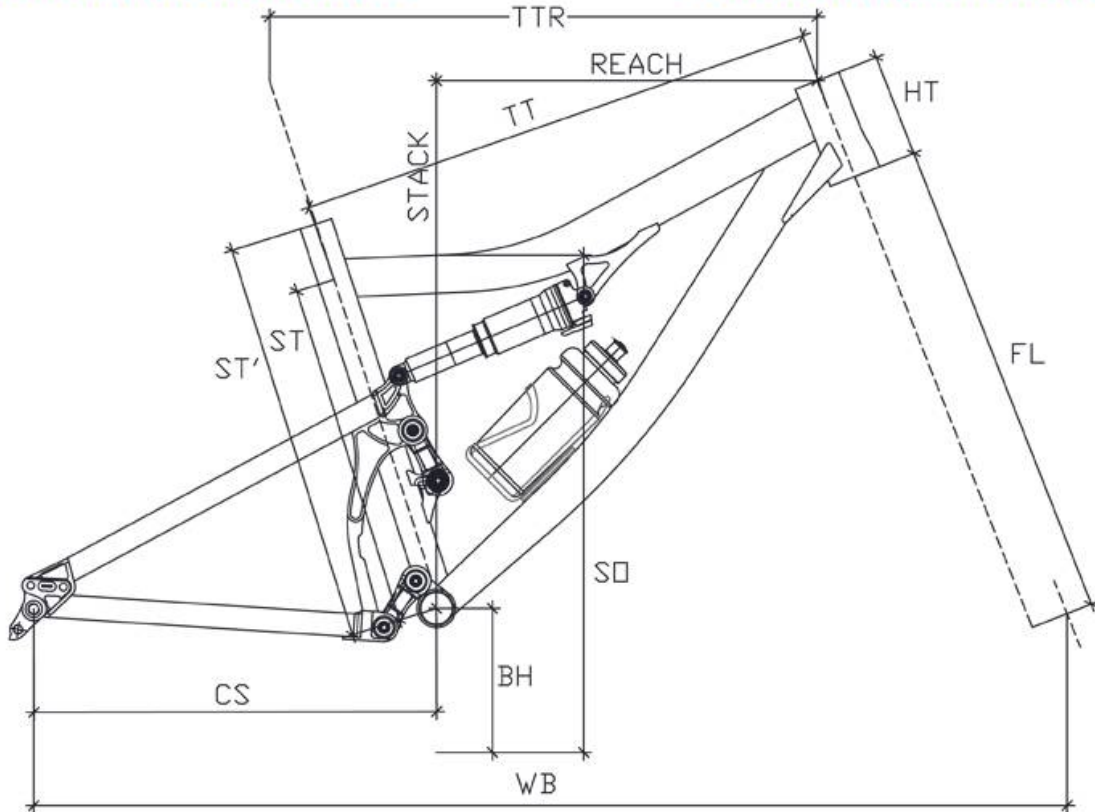


SIZE	ST	ST'	TTR	TT	SO	REACH	STACK	SA	HA	HT	CS	BH	WB	RIDER HT
S	308	390	565	555	722	395	589	73°	65,5°	107	445	356	1148	150-165cm
M	315	430	595	579	725	419	592	73°	65,5°	110	445	356	1173	165-175cm
L	319	460	615	603	728	443	597	73°	65,5°	115	445	356	1199	175-185cm
XL	340	490	640	622	741	467	610	73°	65,5°	120	445	356	1224	185-200cm

Geometry based on 555mm axle-to-crown (160mm fork)
Shock: Fox Float X CTD Kashima 222X66mm

MDE CARVE 7 (650B) 2014 GEOMETRY

Tech area

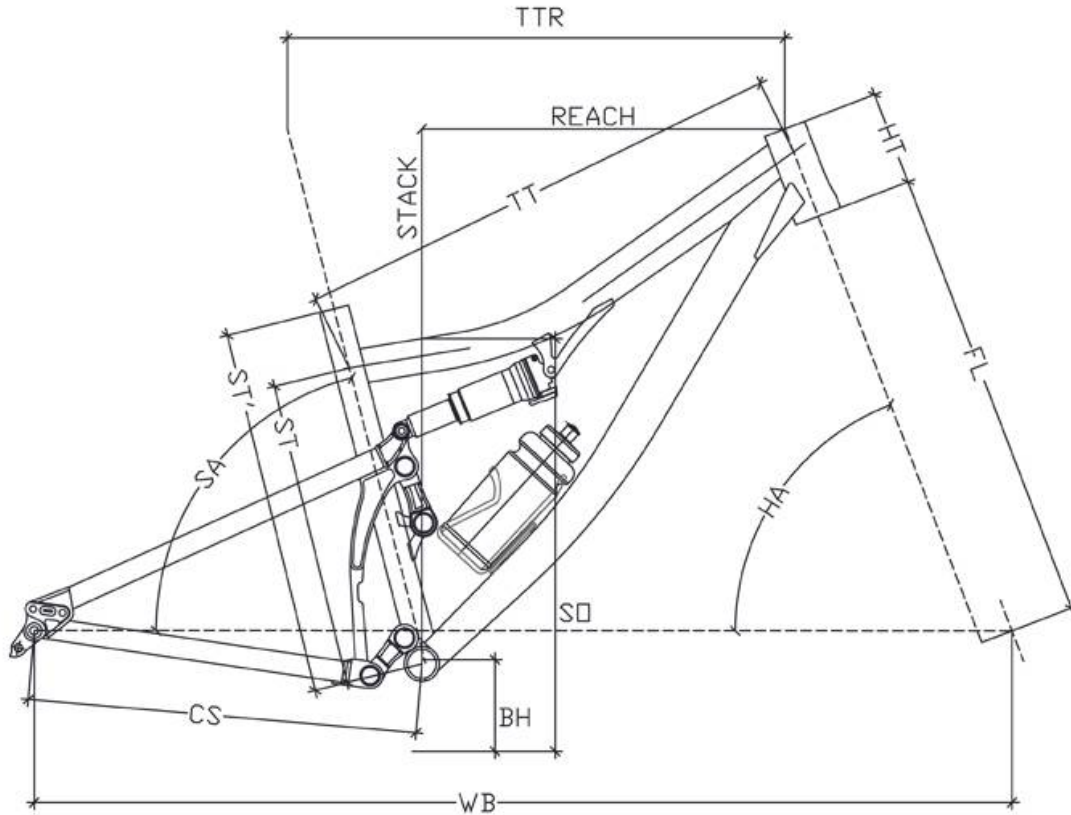


SIZE	ST	ST'	TTR	TT	SO	REACH	STACK	SA	HA	HT	CS	BH	WB	RIDER HT
S	343	390	560	547	705	388	597	73°	66,5°	107	439	348	1128	150-165cm
M	368	430	585	568	727	412	600	73°	66,5°	110	439	348	1153	165-175cm
L	399	460	605	586	748	431	605	73°	66,5°	115	439	348	1174	175-185cm
XL	399	490	625	605	750	449	610	73°	66,5°	120	439	348	1194	185-200cm

Geometry based on 544mm axle-to-crown (150mm fork)
 Shock: Fox Float CTD Kashima

MDE CARVE 9 (29) 2014 GEOMETRY

Tech area

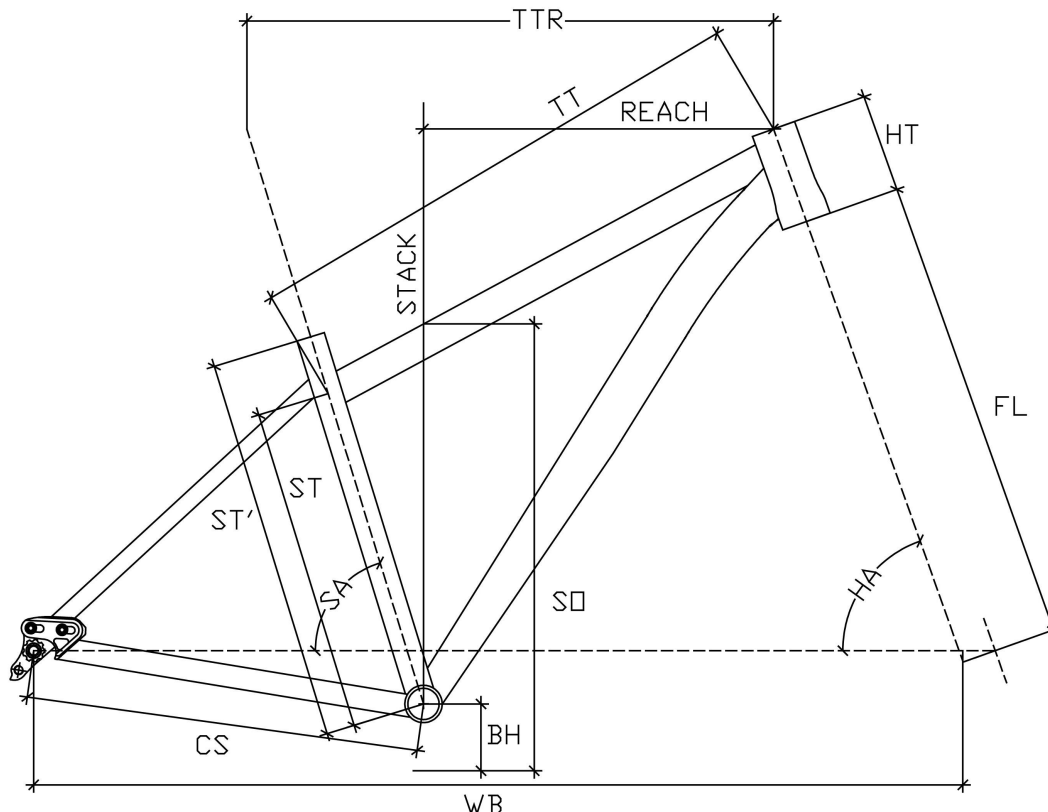


SIZE	ST	ST'	TTR	TT	SO	REACH	STACK	SA	HA	HT	CS	BH	WB	RIDER HT
S	343	390	560	552	699	401	622	74°	68,5°	107	455	341	1129	150-165cm
M	368	430	585	573	727	425	625	74°	68,5°	110	455	341	1154	165-175cm
L	399	460	605	591	748	444	630	74°	68,5°	115	455	341	1175	175-185cm
XL	399	490	625	610	750	462	635	74°	68,5°	120	455	341	1195	185-200cm

Geometry based on 548mm axle-to-crown (140mm fork)
Shock: Fox Float CTD Kashima

MDE SLIDER 29 AND 650B 2014 GEOMETRY

Tech area



29" WHEELS GEOMETRY

SIZE	ST	ST'	TTR	TT	SO	REACH	STACK	SA	HA	HT	CS	BH	WB	RIDER HT
S	322	390	570	568	699	373	640	73°	69,5°	107	430/440	309	1060	150-168cm
M	363	430	590	576	735	392	643	73°	69,8°	110	430/440	309	1080	168-178cm
L	415	480	610	587	776	410	648	73°	69,8°	115	430/440	309	1100	178-188cm
XL	446	510	640	613	799	439	653	73°	69,8°	120	430/440	309	1130	188-200cm

Geometry based on 520mm axle-to-crown (120mm fork).

650B WHEELS GEOMETRY

SIZE	ST	ST'	TTR	TT	SO	REACH	STACK	SA	HA	HT	CS	BH	WB	RIDER HT
S	322	390	570	568	623	373	620	73°	69,2°	107	430/440	303	1060	150-168cm
M	363	430	590	576	720	392	623	73°	69,5°	110	430/440	303	1080	168-178cm
L	415	480	610	587	742	410	631	73°	69,5°	115	430/440	303	1100	178-188cm
XL	446	510	640	613	799	439	638	73°	69,5°	120	430/440	303	1130	188-200cm

Geometry based on 507mm axle-to-crown (120mm fork).