



# 2011 FRAMES TECHNICAL INFORMATION

# 69 2011

# 69 2011

**TYPE:**RACING DOWNHILL  
**TUBESET:**ALU EASTON 7005 FS RAD WITH SQUARE CHAIN AND RECTANGULAR STAYS  
**MANUFACTURE:**TIG WELDING AND CNC PARTS  
**SYSTEM:**MDE OWNER DH-LINK SYSTEM, ERGAL PIVOT AND SPECIAL "ENDURO BEARINGS"  
**REAR SHOCK(STANDARD):** ROCK SHOX VIVID R2C 241X76 C TUNE  
**WHEEL TRAVEL:**210MM (8.3")  
**WEIGHT:**3500g (M SIZE WHITOUT DROPOUTS AND WHITOUT SHOX)  
**SIZE:**S, M, L

**STANDARD COLORS (POWER COATING):** DEEP BLUE (ANOD.RED DETAILS)  
 RACING RED(ANOD.BLACK DETAILS)  
 RACING WHITE(ANOD.RED DETAILS)

"OTHER COLORS ARE AVAILABLE WITH OVERTIME AND OVERPRICE"

## TECHNICAL INFORMATIONS:

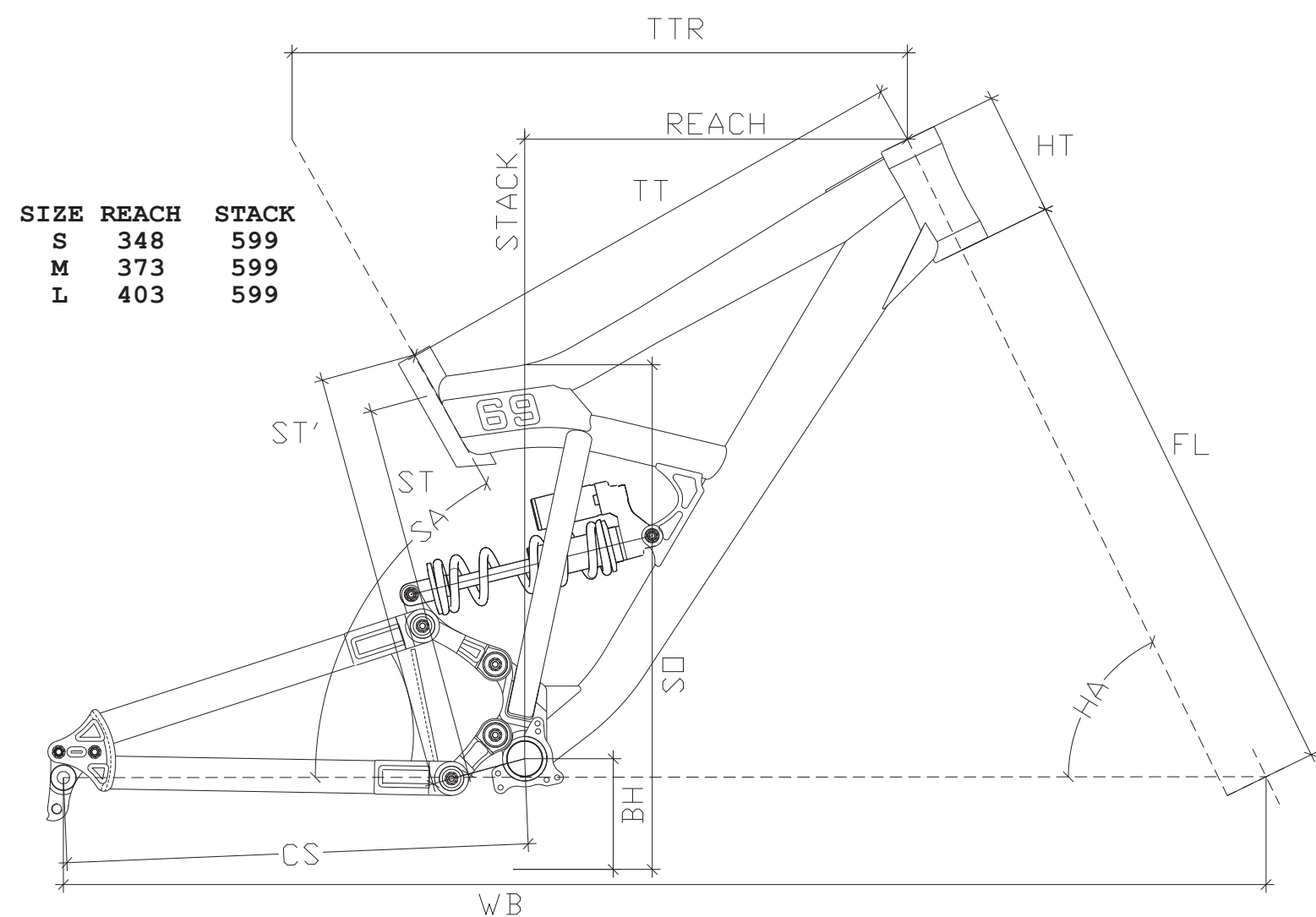
Seat post diameter = 30mm  
 Seat collar diameter =34.9 mm  
 Headset diameter = 1.5"  
 Headset type = normal  
 Fork type = 180 TO 200mm  
 Brake type = disc only  
 Front derailleur diameter = --  
 Front derailleur cable route = --  
 Front derailleur type = --  
 Bottom bracket shell width = 83 mm  
 Freehub width = 135 mm or 150mm(MDE Dropouts system)  
 Shock length =240mm  
 Shock travel =76  
 Shock pivot width front =22mm  
 Shock pivot width rear =22mm  
 Shock bolt diameter = 8mm  
 Rear wheel travel =210mm  
 Tire maximum clearance = 26 x 3.0  
 Rear derailleur hanger type = MDE Dropouts system  
 Weight = 3500g (size M whitout dropouts and whitout shox)

## MDE DROPOUTS SYSTEM AVAILABLE:

- 1° 135X10MM VERTICAL I.S. DISC MOUNTING (130g)
- 2° 135X12MM VERTICAL I.S. DISC MOUNTING (130g)
- 3° 135X12MM TRUE AXLE FRONT POST MOUNT DISC (290g)
- 4° 150x12MM TRUE AXLE FORNT POST MOUNT DISC (260g)
- 5° 135X12MM MAXLE FORNT POST MOUNT DISC (290g)
- 6° 150X12MM MAXLE FORNT POST MOUNT DISC (260g)

## AVAILABLE SHOX:

- Marzocchi Roco Lo (290g) (165mm,190mm,200 mm)
- Marzocchi Roco Air Tst R (455g) (200mm,216mm)
- Marzocchi Roco Air Rc Wc (455g) (222mm,241mm)
- Marzocchi Roco Tst R (1050g) (200mm,216mm)
- Marzocchi Roco Rc Wc (1050) (222mm,241mm)
- Fox Float RP23 (210g) (165mm,190mm,200mm,216mm)
- Fox Dhx Air 5.0 (360g) (200mm,216mm,222mm,241mm)
- Fox Van R (980g) (190mm,200mm,216mm,222mm,241mm)
- Fox Dhx RC4 (950g) (190mm,200mm,216mm,222mm,241mm)
- Rock Shox Ario RL (210g) (165mm,190mm)
- Rock Shox Ario RLR (220g) (165mm,190mm)
- Rock Shox Monarc RT3 (205g) (151mm,165mm)
- Rock Shox Monarc RT3 High Volume (215g) (190mm,200mm,216mm)
- Rock Shox Monarc Plus RT3 High Volume (355g) (200mm,216mm,222mm)
- Rock Shox Vivid AIR RC2 (530g) (200mm,216mm,222mm,241mm)
- Rock Shox Vivid COIL RC2 (945g) (216mm,222mm,241mm)
- Elka Stage 5 (920g) (190mm,200mm,216mm,222mm,241mm)



SIZE	ST	ST'	TTR	TT	SO	SA	HA	HT	CS	BH	WB	FL	fork travel	RIDER HT
S	361	407	574	498	746	60.5°	64°	120	444	358	1141	585	203	155-175 cm
M	361	407	599	521	746	60.5°	64°	120	444	358	1166	585	203	175-185 cm
L	361	407	624	544	746	60.5°	64°	120	444	358	1196	585	203	185-200 cm

# PUSHER 2011

# PUSHER 2011

**TYPE:** DOWNHILL/TRAIL PARK/FREERIDE  
**TUBESET:** ALU EASTON 7005 FS RAD WITH SQUARE CHAIN AND RECTANGULAR STAYS  
**MANUFACTURE:** TIG WELDING AND CNC PARTS  
**SYSTEM:** MDE OWNER I-LINK SYSTEM, ERGAL PIVOT AND SPECIAL "ENDURO BEARINGS"  
**REAR SHOCK:** ROCK SHOX VIVID AIR R2C 241X76 B TUNE  
**WHEEL TRAVEL:** 190MM (7.5")  
**DROPOUTS:** CNC REPLACEABLE, SIX DIFFERENT VERSION ARE AVAILABLE (MDE DROPOUTS SYSTEM)  
**WEIGHT:** 3360g (SIZE M WITHOUT DROPOUTS AND SHOX)  
**SIZE:** S, M, L  
**STANDARD COLOURS (POWDER COATING):** FLUO YELLOW (ANOD. BLU DETAILS)  
 DEEP BLUE (ANOD. RED DETAILS)  
 RACING RED (ANOD. BLACK DETAILS)  
 "OTHER COLORS ARE AVAILABLE WITH OVERTIME AND OVERPRICE"

## TECHNICAL INFORMATIONS:

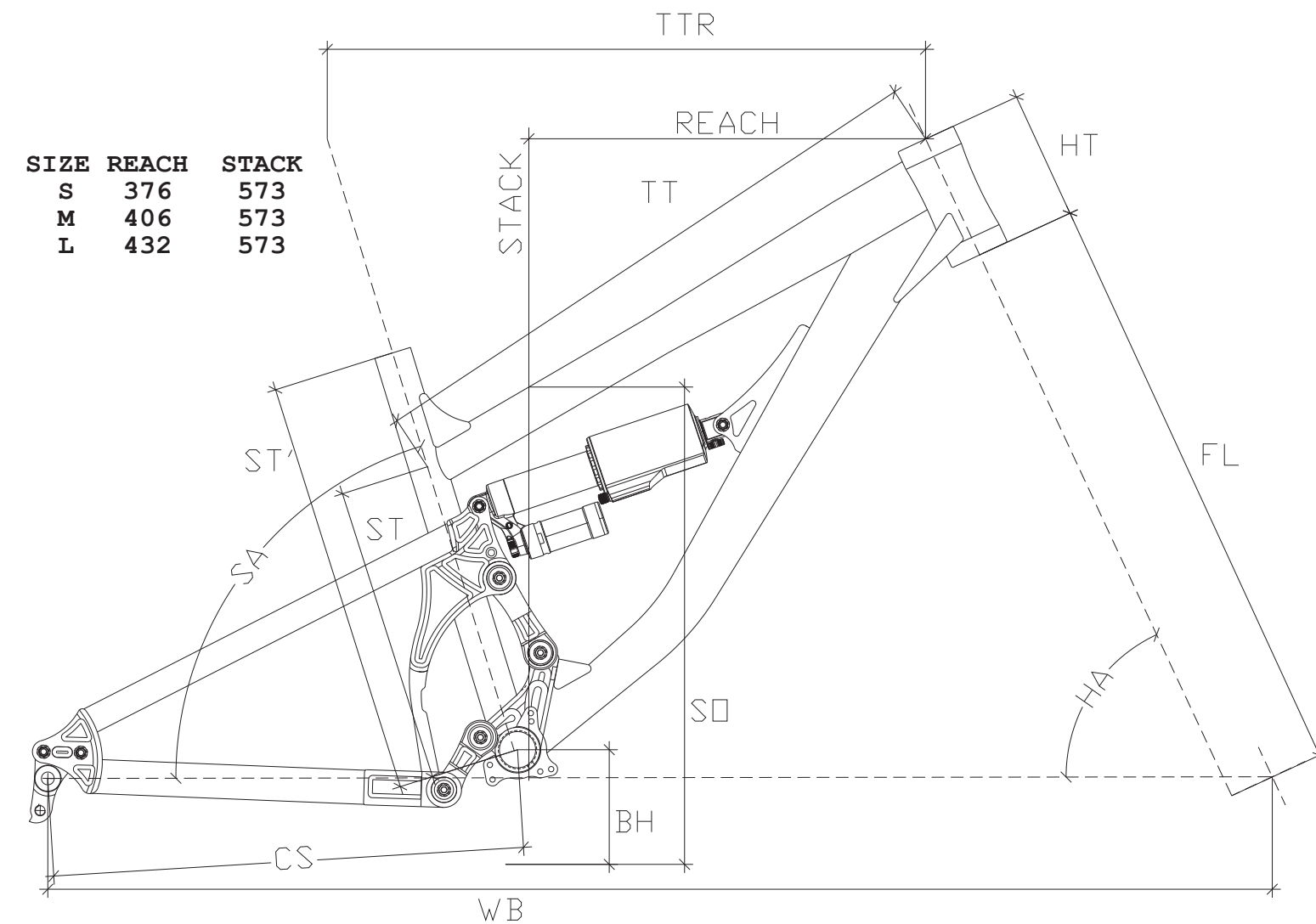
Seat post diameter = 30.9 mm  
 Seat collar diameter = 34.9 mm  
 Headset diameter = 1.5"  
 Headset type = normal  
 Fork type = 180 OR 200mm  
 Brake type = disc only  
 Front derailleur diameter = --  
 Front derailleur cable route = --  
 Front derailleur type = --  
 Bottom bracket shell width = 83 mm  
 Freehub width = 135 mm or 150mm  
 (MDE Dropouts system)  
 Shock length = 241mm  
 Shock travel = 76mm  
 Shock pivot width front = 22mm  
 Shock pivot width rear = 40mm  
 Shock bolt diameter = 8mm  
 Rear wheel travel = 190mm (7.5")  
 Tire maximum clearance = 26 x 2.7, 24x3.0  
 Rear derailleur hanger type = MDE Dropouts system  
 Weight = 3360g (without dropout and shox)

## MDE DROPOUTS SYSTEM AVAILABLE:

- 1° 135X10MM VERTICAL I.S. DISC MOUNTING (130g)
- 2° 135X12MM VERTICAL I.S. DISC MOUNTING (130g)
- 3° 135X12MM TRUE AXLE FRONT POST MOUNT DISC (290g)
- 4° 150x12MM TRUE AXLE FORNT POST MOUNT DISC (260g)
- 5° 135X12MM MAXLE FORNT POST MOUNT DISC (290g)
- 6° 150X12MM MAXLE FORNT POST MOUNT DISC (260g)

## AVAILABLE SHOX:

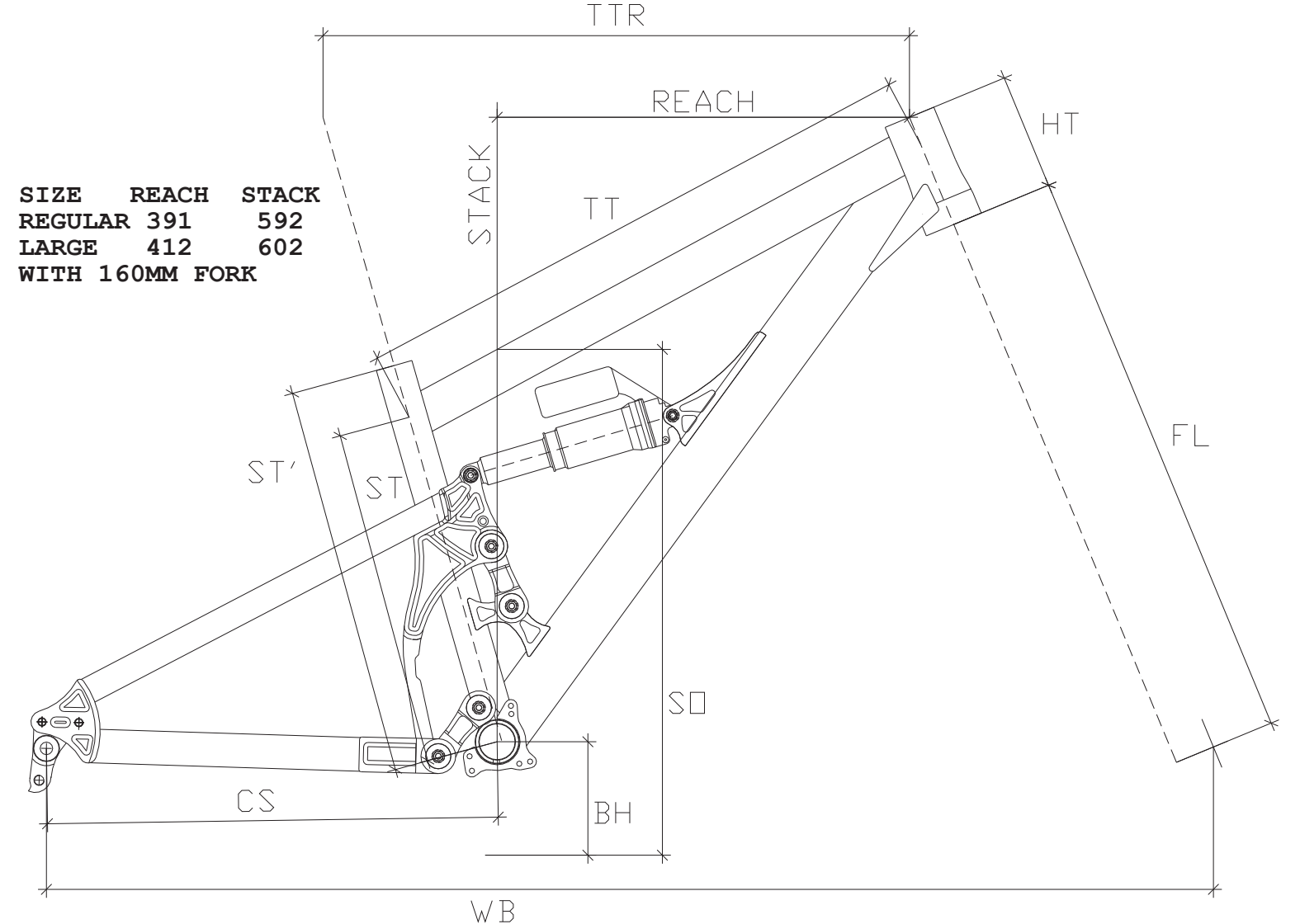
- Marzocchi Roco Lo (290g) (165mm, 190mm, 200 mm)
- Marzocchi Roco Air Tst R (455g) (200mm, 216mm)
- Marzocchi Roco Air Rc Wc (455g) (222mm, 241mm)
- Marzocchi Roco Tst R (1050g) (200mm, 216mm)
- Marzocchi Roco Rc Wc (1050) (222mm, 241mm)
- Fox Float RP23 (210g) (165mm, 190mm, 200mm, 216mm)
- Fox Dhx Air 5.0 (360g) (200mm, 216mm, 222mm, 241mm)
- Fox Van R (980g) (190mm, 200mm, 216mm, 222mm, 241mm)
- Fox Dhx RC4 (950g) (190mm, 200mm, 216mm, 222mm, 241mm)
- Rock Shox Ario RL (210g) (165mm, 190mm)
- Rock Shox Ario RLR (220g) (165mm, 190mm)
- Rock Shox Monarc RT3 (205g) (151mm, 165mm)
- Rock Shox Monarc RT3 High Volume (215g) (190mm, 200mm, 216mm)
- Rock Shox Monarc Plus RT3 High Volume (355g) (200mm, 216mm, 222mm)
- Rock Shox Vivid AIR RC2 (530g) (200mm, 216mm, 222mm, 241mm)
- Rock Shox Vivid COIL RC2 (945g) (216mm, 222mm, 241mm)
- Elka Stage 5 (920g) (190mm, 200mm, 216mm, 222mm, 241mm)



SIZE	ST	ST'	TTR	TT	SO	SA	HA	HT	CS	BH	WB	FL	fork travel	RIDER HT
S	276	390	558	554	702	73°	65°	120	442	370	1143	565	180	155-170 cm
M	308	420	585	571	726	73°	65°	120	442	370	1170	565	180	170-185 cm
L	340	450	610	591	750	73°	65°	120	442	370	1194	565	180	185-200 cm

# PLAYER 2011

**TYPE:** SLOPE STYLE  
**TUBESET:** DEDACCIAI 7003 CUSTOM SHAPE WITH SQUARE CHAIN AND RECTANGULAR STAYS  
**MANUFACTURE:** TIG WELDING AND CNC PARTS  
**SYSTEM:** MDE OWNER I-LINK SYSTEM, NEW 2010 ERGAL PIVOT AND SPECIAL "ENDURO BEARINGS"  
**REAR SHOCK (STANDARD):** ROCK SHOX MONARC RT3 200X57MM  
 (ROCK SHOX MONARCH RT3 190X50mm)  
**WHEEL TRAVEL:** 140mm (5.5")  
 110mm (4.5")  
**DROPOUTS:** CNC REPLACEABLE  
**WEIGHT:** 2960g (whitout dropouts and shox)  
**SIZE:** REGULAR  
**STANDARD COLOURS (POWDER COATING):** FLUO YELLOW (ANOD.BLUE DETAILS)  
 WATER GREEN (ANOD.RED DETAILS)  
 PURPLE (ANOD.BLACK DETAILS)  
 "OTHER COLORS ARE AVAILABLE WITH OVERTIME AND OVERPRICE"



SIZE	REACH	STACK
REGULAR	391	592
LARGE	412	602

WITH 160MM FORK

SIZE	ST	ST'	TTR	TT	SO	SA	HA	HT	CS	BH	WB	FL	fork travel	RIDER HT
REGULAR	368	370	557	551	718	74°	67.5°	110	427	345	1109	545	160	165-178 cm
LARGE	368	390	581	571	735	74°	67.5°	120	427	345	1133	545	160	178-195 cm

# PLAYER 2011

## TECHNICAL INFORMATIONS:

Seat post diameter = 30.9 mm  
 Seat collar diameter = 34.9 mm  
 Headset diameter = 1/1.8"UP/1.5"DOWN  
 Headset type = SEMI-INTEGRATE UP/STANDARD DOWN  
 Fork type = 100 - 160mm  
 Brake type = disc only  
 Front derailleur diameter = 34.9 mm  
 Front derailleur cable route = top pull  
 Front derailleur type = top swing  
 Bottom bracket shell width = 73mm  
 ISCG = 03' and 05' standard  
 Freehub width = 135 or 150mm  
 Shock length = 200mm (190mm)  
 Shock travel = 57mm (50mm)  
 Shock pivot width front = 22mm  
 Shock pivot width rear = 40mm  
 Shock bolt diameter = 8mm  
 Rear wheel travel = 140mm (110mm)  
 Tire maximum clearance = 26 x 2.5  
 Rear derailleur hanger type = MDS (MDE Dropout System)  
 Weight = 2960g (whitout dropouts and shox)

Note: front derailleur cable stopper only on request

## MDE DROPOUTS SYSTEM AVAILABLE:

- 1° 135X10MM VERTICAL I.S. DISC MOUNTING (130g)
- 2° 135X12MM VERTICAL I.S. DISC MOUNTING (130g)
- 3° 135X12MM TRUE AXLE FRONT POST MOUNT DISC (290g)
- 4° 150x12MM TRUE AXLE FORNT POST MOUNT DISC (260g)
- 5° 135X12MM MAXLE FORNT POST MOUNT DISC (290g)
- 6° 150X12MM MAXLE FORNT POST MOUNT DISC (260g)

## AVAILABLE SHOX:

- Marzocchi Roco Lo (290g) (165mm, 190mm, 200 mm)
- Marzocchi Roco Air Tst R (455g) (200mm, 216mm)
- Marzocchi Roco Air Rc Wc (455g) (222mm, 241mm)
- Marzocchi Roco Tst R (1050g) (200mm, 216mm)
- Marzocchi Roco Rc Wc (1050) (222mm, 241mm)
- Fox Float RP23 (210g) (165mm, 190mm, 200mm, 216mm)
- Fox Dhx Air 5.0 (360g) (200mm, 216mm, 222mm, 241mm)
- Fox Van R (980g) (190mm, 200mm, 216mm, 222mm, 241mm)
- Fox Dhx RC4 (950g) (190mm, 200mm, 216mm, 222mm, 241mm)
- Rock Shox Ario RL (210g) (165mm, 190mm)
- Rock Shox Ario RLR (220g) (165mm, 190mm)
- Rock Shox Monarc RT3 (205g) (151mm, 165mm)
- Rock Shox Monarc RT3 High Volume (215g) (190mm, 200mm, 216mm)
- Rock Shox Monarc Plus RT3 High Volume (355g) (200mm, 216mm, 222mm)
- Rock Shox Vivid AIR RC2 (530g) (200mm, 216mm, 222mm, 241mm)
- Rock Shox Vivid COIL RC2 (945g) (216mm, 222mm, 241mm)
- Elka Stage 5 (920g) (190mm, 200mm, 216mm, 222mm, 241mm)



# BOLDER SX 2011

# BOLDER SX 2011

**TYPE:** ALL MOUNTAIN/ENDURO/FREERIDE  
**TUBESET:** EASTON FS RAD WITH SQUARE CHAIN AND RECTANGULAR STAYS  
**MANUFACTURE:** TIG WELDING AND CNC PARTS  
**SYSTEM:** MONOCROSS, ERGAL PIVOT AND ENDURO BEARINGS  
**REAR SHOCK (STANDARD):** ROCK SHOX VIVID COIL R2C (222X70MM)  
**WHEEL TRAVEL:** VARIABLE 160-170-180MM (6.3", 6.7", 7.0")  
**DROPOUTS:** CNC REPLACEABLE, 6 VERSION ARE AVAILABLE (MDE DROPOUTS SYSTEM)  
**WEIGHT:** 2970g (SIZE M WITHOUT DROPOUTS AND WITHOUT SHOX)  
**SIZE:** XS (WOMEN), S, M, L  
**STANDARD COLORS (POWDER COATING):** BORDEAUX (ANOD. BLACK DETAILS)  
 ROYAL ORANGE (ANOD. BLACK DETAILS)  
 ROYAL WHITE (ANOD. RED DETAILS)

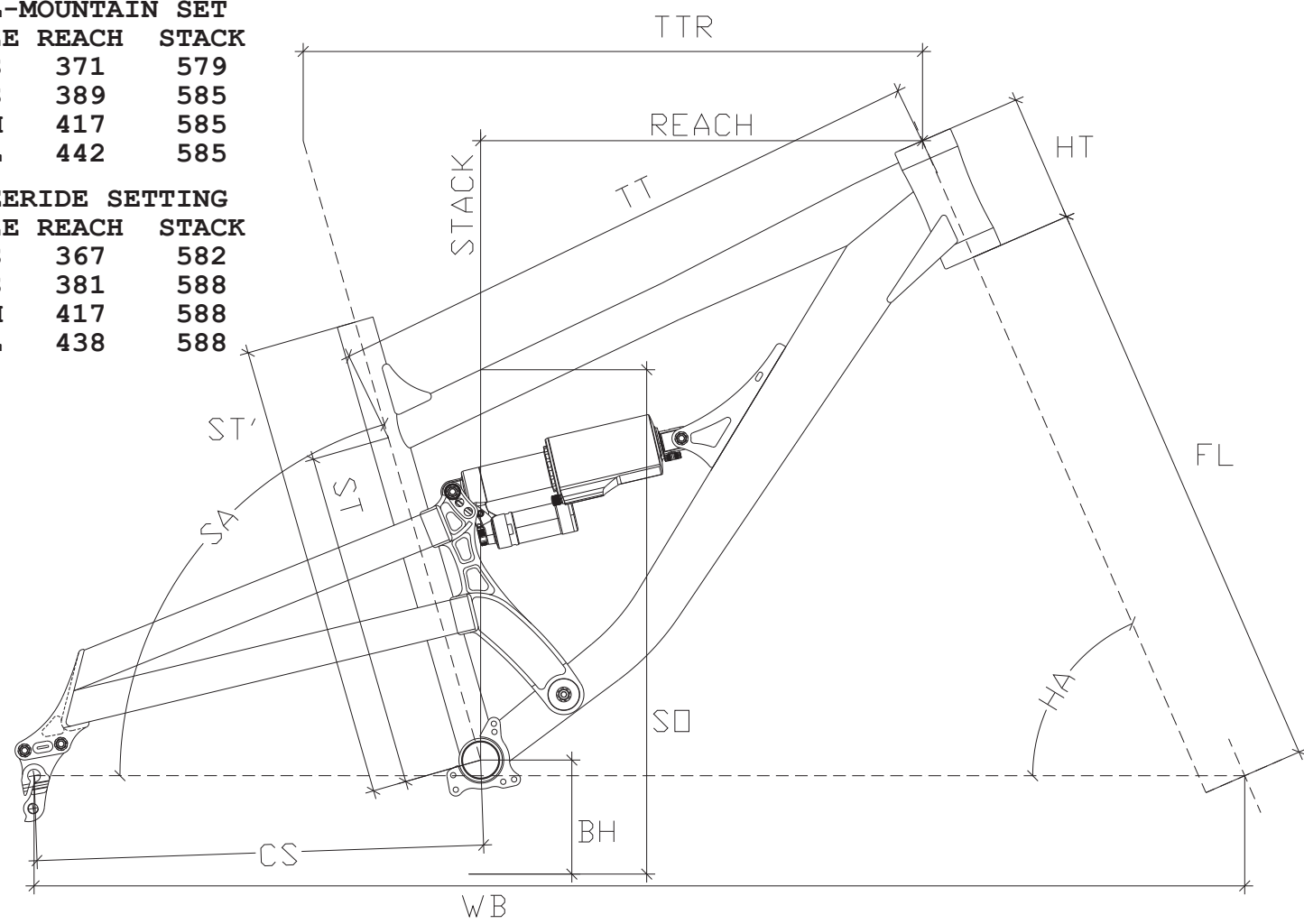
"OTHER COLORS ARE AVAILABLE WITH OVERTIME AND OVERPRICE"

**ALL-MOUNTAIN SET**

SIZE	REACH	STACK
XS	371	579
S	389	585
M	417	585
L	442	585

**FREERIDE SETTING**

SIZE	REACH	STACK
XS	367	582
S	381	588
M	417	588
L	438	588



**2011 GEOMETRY ALL-MOUNTAIN SETTING**

SIZE	ST	ST'	TTR	TT	SO	SA	HA	HT	CS	BH	WB	FL	fork travel	RIDER HT
XS	325	370	540	524	710	74°	66.5°	110	426	345	1100	545	160	145-160 cm
S	345	390	558	534	723	74°	66.5°	120	426	350	1118	545	160	160-170 cm
M	385	430	585	561	730	74°	66.5°	120	426	350	1142	545	160	170-185 cm
L	425	480	610	585	765	74°	66.5°	120	426	350	1166	545	160	185-200 cm

GEOMETRY WITH THE REAR SHOX IN THE REAR SWINGARM IN THE TOP FIXING POINT (160MM)

**2011 GEOMETRY FREERIDE SETTING**

SIZE	ST	ST'	TTR	TT	SO	SA	HA	HT	CS	BH	WB	FL	fork travel	RIDER HT
XS	325	370	542	524	730	73.5°	66°	110	422	365	1105	565	180	145-160 cm
S	345	390	560	534	743	73.5°	66°	120	422	370	1123	565	180	160-170 cm
M	385	430	590	561	750	73.5°	66°	120	422	370	1149	565	180	170-185 cm
L	425	480	615	585	785	73.5°	66°	120	422	370	1173	565	180	185-200 cm

GEOMETRY WITH THE REAR SHOX IN THE REAR SWINGARM IN THE LOW FIXING POINT (180MM)

**TECHNICAL INFORMATIONS:**

Seat post diameter = 30.9 mm  
 Seat collar diameter = 34.9 mm  
 Headset diameter = 1.5"  
 Headset type = normal  
 Fork type = 150 - 200mm  
 Brake type = disc only  
 Front derailleur diameter = 34.9 mm  
 Front derailleur cable route = down pull  
 Front derailleur type = top swing  
 Bottom bracket shell width = 73mm  
 ISCG = 03' and 05' standard  
 Freehub width = 135 mm or 150mm (MDE Dropouts system)  
 Shock length = 222mm  
 Shock travel = 70mm  
 Shock pivot width front = 22mm  
 Shock pivot width rear = 50mm  
 Shock bolt diameter = 8mm  
 Rear wheel travel = 160-170-180mm  
 Tire maximum clearance = 26 x 2.7, 24x3.0  
 Rear derailleur hanger type = MDE DROPOUTS SYSTEM  
 Weight = 2970g (SIZE M WITHOUT DROPOUTS AND WITHOUT SHOX)

**MDE DROPOUTS SYSTEM AVAILABLE:**

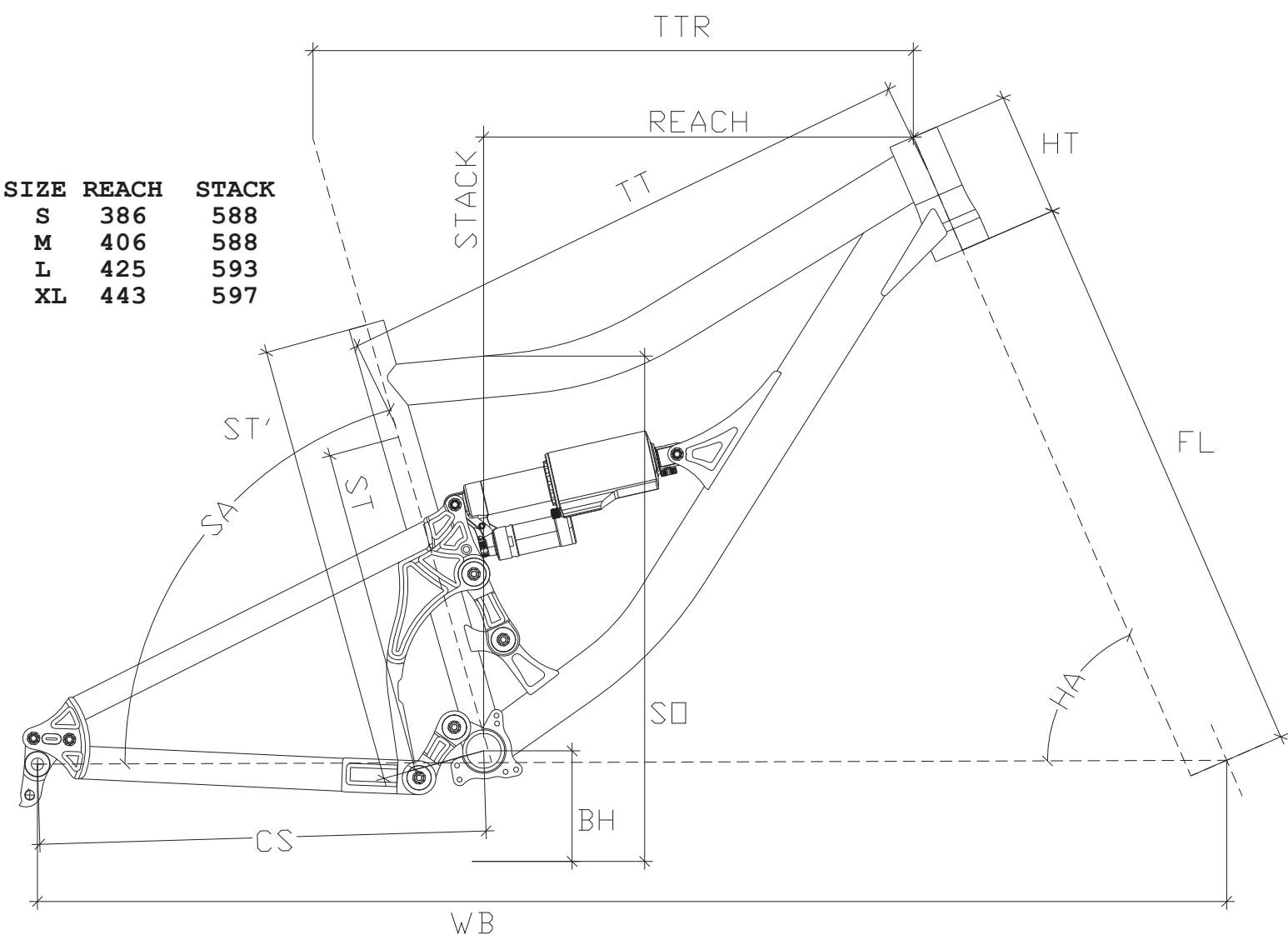
- 1° 135X10MM VERTICAL I.S. DISC MOUNTING (130g)
- 2° 135X12MM VERTICAL I.S. DISC MOUNTING (130g)
- 3° 135X12MM TRUE AXLE FRONT POST MOUNT DISC (290g)
- 4° 150x12MM TRUE AXLE FRONT POST MOUNT DISC (260g)
- 5° 135X12MM MAXLE FRONT POST MOUNT DISC (290g)
- 6° 150X12MM MAXLE FRONT POST MOUNT DISC (260g)

**AVAILABLE SHOX:**

- Marzocchi Roco Lo (290g) (165mm, 190mm, 200 mm)
- Marzocchi Roco Air Tst R (455g) (200mm, 216mm)
- Marzocchi Roco Air Rc Wc (455g) (222mm, 241mm)
- Marzocchi Roco Tst R (1050g) (200mm, 216mm)
- Marzocchi Roco Rc Wc (1050) (222mm, 241mm)
- Fox Float RP23 (210g) (165mm, 190mm, 200mm, 216mm)
- Fox Dhx Air 5.0 (360g) (200mm, 216mm, 222mm, 241mm)
- Fox Van R (980g) (190mm, 200mm, 216mm, 222mm, 241mm)
- Fox Dhx RC4 (950g) (190mm, 200mm, 216mm, 222mm, 241mm)
- Rock Shox Ario RL (210g) (165mm, 190mm)
- Rock Shox Ario RLR (220g) (165mm, 190mm)
- Rock Shox Monarc RT3 (205g) (151mm, 165mm)
- Rock Shox Monarc RT3 High Volume (215g) (190mm, 200mm, 216mm)
- Rock Shox Monarc Plus RT3 High Volume (355g) (200mm, 216mm, 222mm)
- Rock Shox Vivid AIR RC2 (530g) (200mm, 216mm, 222mm, 241mm)
- Rock Shox Vivid COIL RC2 (945g) (216mm, 222mm, 241mm)
- Elka Stage 5 (920g) (190mm, 200mm, 216mm, 222mm, 241mm)

# DAMPER SX 2011

**TYPE:** AGGRESSIVE ALL MOUNTAIN/SUPER-ENDURO/FREERIDE  
**TUBESET:** ALU EASTON 7005 FS RAD WITH SQUARE CHAIN AND RECTANGULAR STAYS  
**MANUFACTURE:** TIG WELDING AND CNC PARTS  
**SYSTEM:** MDE OWNER I-LINK SYSTEM, NEW 2010 ERGAL PIVOT AND SPECIAL "ENDURO BEARINGS"  
**REAR SHOCK (STANDARD):** ROCK SHOX VIVID AIR R2C 222X70MM  
**WHEEL TRAVEL:** 170MM (6.7")  
**DROPOUTS:** CNC REPLACEABLE, 6 VERSION ARE AVAILABLE (MDE DROPOUTS SYSTEM)  
**WEIGHT:** 3080g (SIZE M WITHOUT REAR DROPOUTS AND WITHOUT SHOX)  
**SIZE:** S, M, L, XL  
**STANDARD COLOURS (POWDER COATING):** PEARL GREY (ANOD. GOLD DETAILS)  
 RACING RED (ANOD. BLACK DETAILS)  
 ROYAL WHITE (ANOD. RED DETAILS)  
 "OTHER COLORS ARE AVAILABLE WITH OVERTIME AND OVERPRICE"



SIZE	REACH	STACK
S	386	588
M	406	588
L	425	593
XL	443	597

SIZE	ST	ST'	TTR	TT	SO	SA	HA	HT	CS	BH	WB	FL	fork travel	RIDER HT
S	323	390	550	540	710	74°	66.5°	110	435	353	1110	545	160	150-165 cm
M	323	420	570	540	710	74°	66.5°	110	435	353	1110	545	160	165-175 cm
L	370	450	590	557	710	74°	66.5°	115	435	353	1135	545	160	175-185 cm
XL	400	480	610	577	710	74°	66.5°	120	435	353	1159	545	160	185-200 cm

# DAMPER SX 2011

## TECHNICAL INFORMATIONS:

Seat post diameter = 30.9 mm  
 Seat collar diameter = 34.9 mm  
 Headset diameter = 1 1/8" UP, 1.5" DOWN  
 Headset type = SEMI-INTEGRATE UP/STANDARD DOWN  
 Fork type = 150 - 180mm  
 Brake type = disc only  
 Front derailleur diameter = 34.9 mm  
 Front derailleur cable route = top pull  
 Front derailleur type = top swing  
 Bottom bracket shell width = 73mm  
 ISCG = 03' and 05' standard  
 Freehub width = 135 mm  
 Shock length = 222mm  
 Shock travel = 70mm  
 Shock pivot width front = 22mm  
 Shock pivot width rear = 40mm  
 Shock bolt diameter = 8mm  
 Rear wheel travel = 170mm  
 Tire maximum clearance = 26 x 2.7  
 Rear derailleur hanger type = MDE DROPOUTS SYSTEM  
 Weight = 3080g (SIZE M WITHOUT REAR DROPOUTS AND WITHOUT SHOX)

## MDE DROPOUTS SYSTEM AVAILABLE:

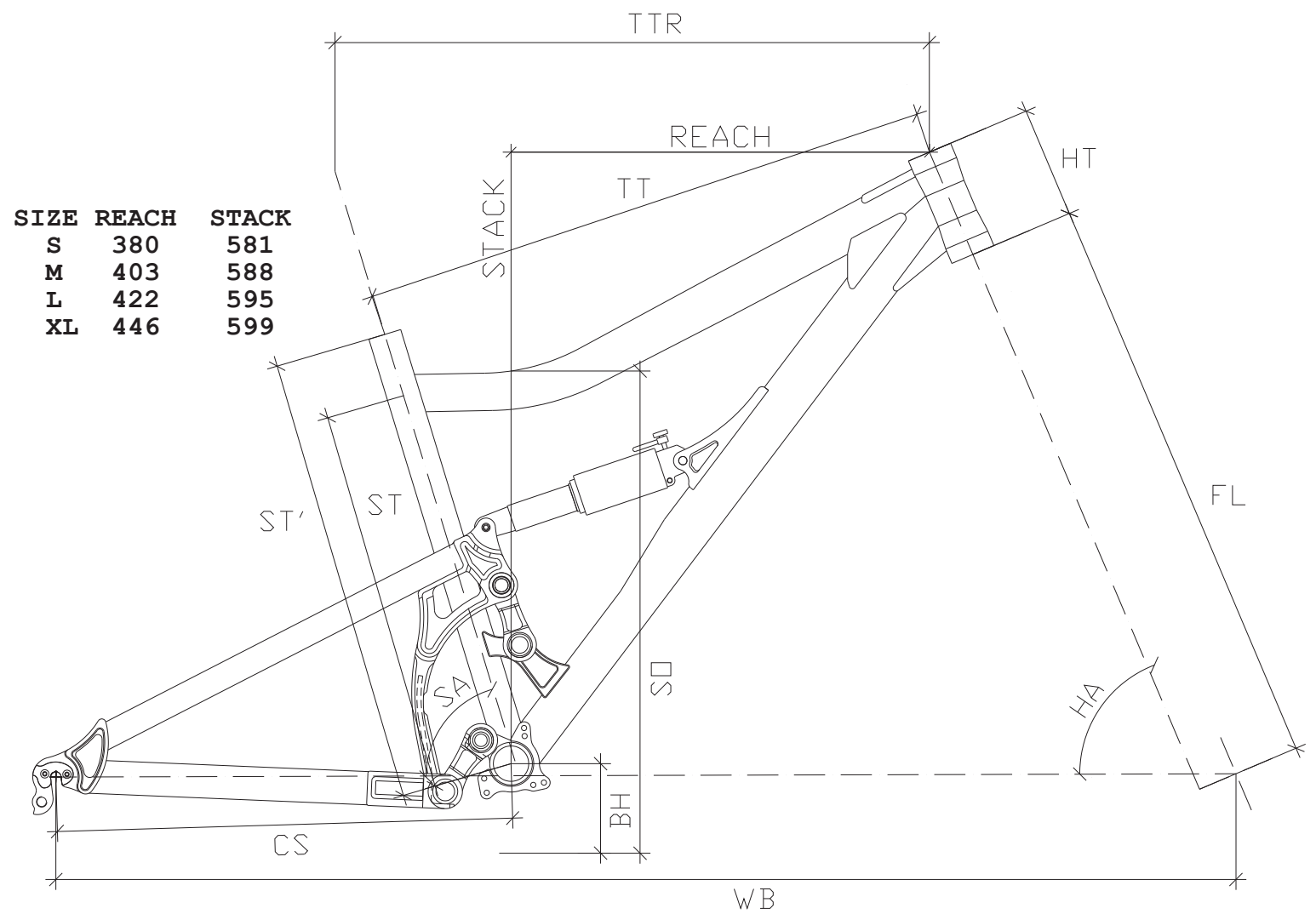
- 1° 135X10MM VERTICAL I.S. DISC MOUNTING (130g)
- 2° 135X12MM VERTICAL I.S. DISC MOUNTING (130g)
- 3° 135X12MM TRUE AXLE FRONT POST MOUNT DISC (290g)
- 4° 150x12MM TRUE AXLE FRONT POST MOUNT DISC (260g)
- 5° 135X12MM MAXLE FRONT POST MOUNT DISC (290g)
- 6° 150X12MM MAXLE FRONT POST MOUNT DISC (260g)

## AVAILABLE SHOX:

- Marzocchi Roco Lo (290g) (165mm, 190mm, 200 mm)
- Marzocchi Roco Air Tst R (455g) (200mm, 216mm)
- Marzocchi Roco Air Rc Wc (455g) (222mm, 241mm)
- Marzocchi Roco Tst R (1050g) (200mm, 216mm)
- Marzocchi Roco Rc Wc (1050) (222mm, 241mm)
- Fox Float RP23 (210g) (165mm, 190mm, 200mm, 216mm)
- Fox Dhx Air 5.0 (360g) (200mm, 216mm, 222mm, 241mm)
- Fox Van R (980g) (190mm, 200mm, 216mm, 222mm, 241mm)
- Fox Dhx RC4 (950g) (190mm, 200mm, 216mm, 222mm, 241mm)
- Rock Shox Ario RL (210g) (165mm, 190mm)
- Rock Shox Ario RLR (220g) (165mm, 190mm)
- Rock Shox Monarc RT3 (205g) (151mm, 165mm)
- Rock Shox Monarc RT3 High Volume (215g) (190mm, 200mm, 216mm)
- Rock Shox Monarc Plus RT3 High Volume (355g) (200mm, 216mm, 222mm)
- Rock Shox Vivid AIR RC2 (530g) (200mm, 216mm, 222mm, 241mm)
- Rock Shox Vivid COIL RC2 (945g) (216mm, 222mm, 241mm)
- Elka Stage 5 (920g) (190mm, 200mm, 216mm, 222mm, 241mm)

# DAMPER 2011

**TYPE:** MOUNTAIN TRAIL/ALL MOUNTAIN/ENDURO  
**TUBESET:** DEDACCAI 7003 CUSTOM SHAPE WITH SQUARE CHAIN AND RECTANGULAR STAYS  
**MANUFACTURE:** TIG WELDING AND CNC PARTS  
**SYSTEM:** MDE OWNER I-LINK SYSTEM, NEW 2010 ERGAL PIVOT AND SPECIAL "ENDURO BEARINGS"  
**REAR SHOCK (STANDARD):** ROCK SHOX MONARC RT3 200X57MM  
**WHEEL TRAVEL:** 158MM (6.0")  
**DROPOUTS:** CNC REPLACEABLE  
**WEIGHT:** 2950g (SIZE M WITHOUT SHOX)  
**SIZE:** S, M, L, XL  
**STANDARD COLOURS (POWDER COATING):** FLUO GREEN (ANOD. BLACK DETAILS)  
 RACING RED (ANOD. BLACK DETAILS)  
 ROYAL WHITE (ANOD. RED DETAILS)  
 "OTHER COLORS ARE AVAILABLE WITH OVERTIME AND OVERPRICE"



SIZE	REACH	STACK
S	380	581
M	403	588
L	422	595
XL	446	599

SIZE	ST	ST'	TTR	TT	SO	SA	HA	HT	CS	BH	WB	FL	fork travel	RIDER HT
S	323	390	556	540	720	73°	67°	100	438	348	1110	545	160	150-165 cm
M	370	430	580	557	727	73°	67°	107	438	348	1135	545	160	165-175 cm
L	400	460	603	577	750	73°	67°	115	438	348	1159	545	160	175-185 cm
XL	431	490	628	601	773	73°	67°	120	438	348	1184	545	160	185-200 cm

# DAMPER 2011

## TECHNICAL INFORMATIONS:

Seat post diameter = 27.2 mm  
 Seat collar diameter = 31.8 mm  
 Headset diameter = 1.8"  
 Headset type = normal  
 Fork type = 150 - 170mm  
 Brake type = disc only  
 Front derailleur diameter = 31.8 mm  
 Front derailleur cable route = top pull  
 Front derailleur type = top swing  
 Bottom bracket shell width = 73mm  
 ISCG = 03' and 05' standard  
 Freehub width = 135 mm  
 Shock length = 200mm  
 Shock travel = 57mm  
 Shock pivot width front = 22mm  
 Shock pivot width rear = 40mm  
 Shock bolt diameter = 8mm  
 Rear wheel travel = 158mm  
 Tire maximum clearance = 26 x 2.7, 24x3.0  
 Rear derailleur hanger type = MDE 1 NEW  
 Weight = 2950g (SIZE M WITHOUT SHOX)

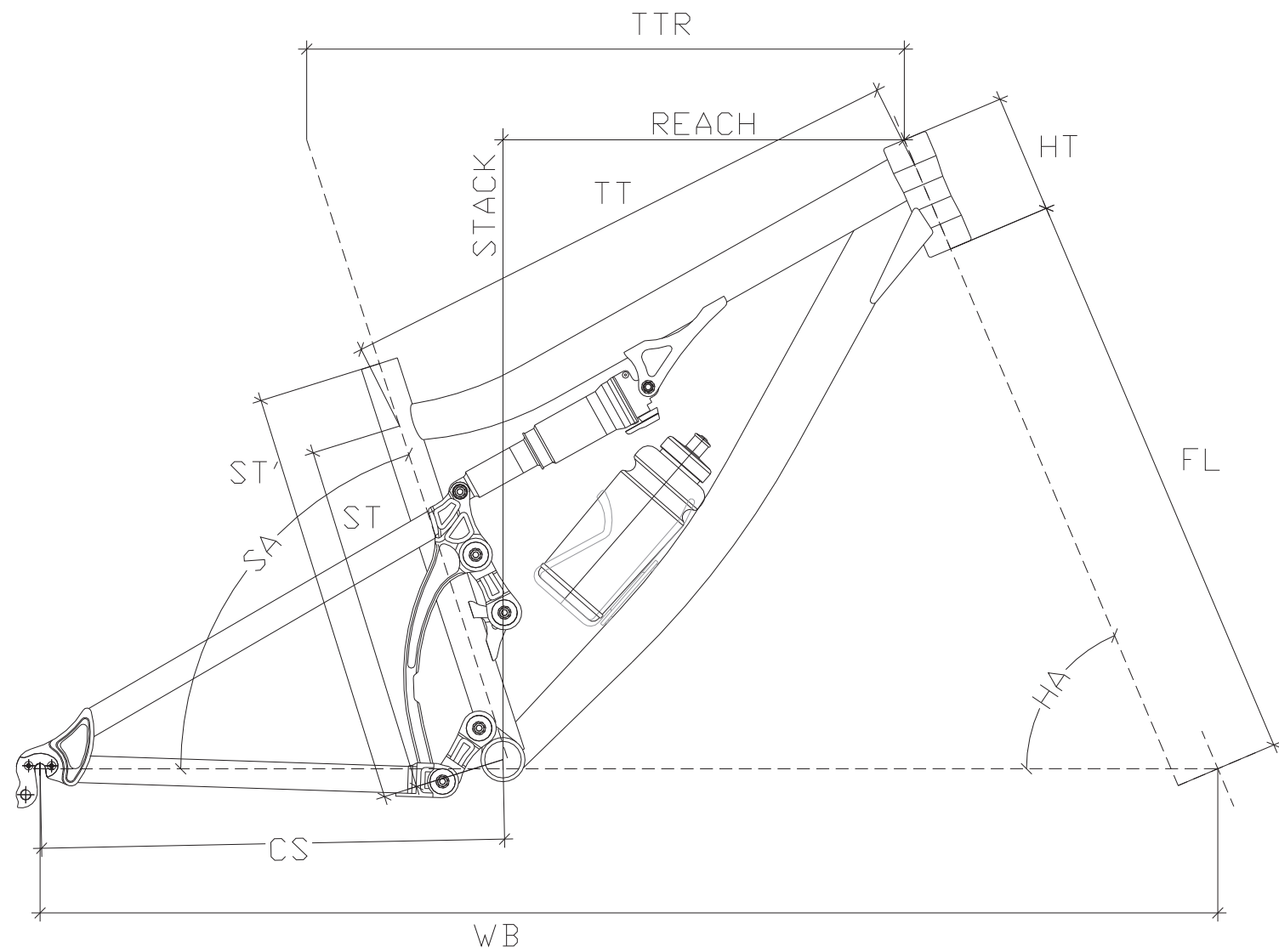
## AVAILABLE SHOX:

Marzocchi Roco Lo (290g) (165mm, 190mm, 200 mm)  
 Marzocchi Roco Air Tst R (455g) (200mm, 216mm)  
 Marzocchi Roco Air Rc Wc (455g) (222mm, 241mm)  
 Marzocchi Roco Tst R (1050g) (200mm, 216mm)  
 Marzocchi Roco Rc Wc (1050) (222mm, 241mm)  
 Fox Float RP23 (210g) (165mm, 190mm, 200mm, 216mm)  
 Fox Dhx Air 5.0 (360g) (200mm, 216mm, 222mm, 241mm)  
 Fox Van R (980g) (190mm, 200mm, 216mm, 222mm, 241mm)  
 Fox Dhx RC4 (950g) (190mm, 200mm, 216mm, 222mm, 241mm)  
 Rock Shox Ario RL (210g) (165mm, 190mm)  
 Rock Shox Ario RLR (220g) (165mm, 190mm)  
 Rock Shox Monarc RT3 (205g) (151mm, 165mm)  
 Rock Shox Monarc RT3 High Volume (215g) (190mm, 200mm, 216mm)  
 Rock Shox Monarc Plus RT3 High Volume (355g) (200mm, 216mm, 222mm)  
 Rock Shox Vivid AIR RC2 (530g) (200mm, 216mm, 222mm, 241mm)  
 Rock Shox Vivid COIL RC2 (945g) (216mm, 222mm, 241mm)  
 Elka Stage 5 (920g) (190mm, 200mm, 216mm, 222mm, 241mm)



# CARVER 2011

**TYPE:** MOUNTAIN TRAIL  
**TUBESET:** DEDACCAI 7003 CUSTOM SHAPE WITH SQUARE CHAIN AND RECTANGULAR STAYS  
**MANUFACTURE:** TIG WELDING AND CNC PARTS  
**SYSTEM:** MDE OWNER I-LINK SYSTEM, NEW 2010 ERGAL PIVOT AND SPECIAL "ENDURO BEARINGS"  
**REAR SHOCK (STANDARD):** ROCK SHOX MONARC RT3 200X57MM  
**WHEEL TRAVEL:** 140MM (5.5")  
**DROPOUTS:** CNC REPLACEABLE  
**WEIGHT:** 2600g (SIZE M WITHOUT SHOX)  
**SIZE:** S, M, L, XL  
**STANDARD COLOURS (POWDER COATING):** ROYAL BLACK (ANOD. RED DETAILS)  
 RACING RED (ANOD. POLISHED DETAILS)  
 ROYAL WHITE (ANOD. BLUE DETAILS)  
 "OTHER COLORS ARE AVAILABLE WITH OVERTIME AND OVERPRICE"



SIZE	ST	ST'	TTR	TT	SO	SA	HA	HT	CS	BH	WB	FL	fork travel	RIDER HT
S	333	390	555	538	700	72.5°	68°	110	430	336	1083	520	140	150-165 cm
M	373	430	580	557	718	72.5°	68.5°	115	430	336	1098	520	140	165-175 cm
L	423	480	605	579	756	72.5°	68.5°	120	430	336	1128	520	140	175-185 cm
XL	453	510	630	604	780	72.5°	69°	130	430	336	1145	520	140	185-200 cm

# CARVER 2011

## TECHNICAL INFORMATIONS:

Seat post diameter = 30.9 mm  
 Seat collar diameter = 34.9 mm  
 Headset diameter = 1/1.8"UP/1.5"DOWN  
 Headset type = SEMI-INTEGRATE UP/STANDARD DOWN  
 Fork type = 120 - 150mm  
 Brake type = disc only  
 Front derailleur diameter = 34.9 mm  
 Front derailleur cable route = top pull  
 Front derailleur type = top swing  
 Bottom bracket shell width = 73mm  
 ISCG = 03' and 05' standard  
 Freehub width = 135 mm  
 Shock length = 200mm  
 Shock travel = 57mm  
 Shock pivot width front = 22mm  
 Shock pivot width rear = 40mm  
 Shock bolt diameter = 8mm  
 Rear wheel travel = 140mm  
 Tire maximum clearance = 26 x 2.5  
 Rear derailleur hanger type = MDE 1 NEW  
 Weight = 2600g (SIZE M WITHOUT SHOX)

## AVAILABLE SHOX:

Marzocchi Roco Lo (290g) (165mm, 190mm, 200 mm)  
 Marzocchi Roco Air Tst R (455g) (200mm, 216mm)  
 Marzocchi Roco Air Rc Wc (455g) (222mm, 241mm)  
 Marzocchi Roco Tst R (1050g) (200mm, 216mm)  
 Marzocchi Roco Rc Wc (1050) (222mm, 241mm)  
 Fox Float RP23 (210g) (165mm, 190mm, 200mm, 216mm)  
 Fox Dhx Air 5.0 (360g) (200mm, 216mm, 222mm, 241mm)  
 Fox Van R (980g) (190mm, 200mm, 216mm, 222mm, 241mm)  
 Fox Dhx RC4 (950g) (190mm, 200mm, 216mm, 222mm, 241mm)  
 Rock Shox Ario RL (210g) (165mm, 190mm)  
 Rock Shox Ario RLR (220g) (165mm, 190mm)  
 Rock Shox Monarc RT3 (205g) (151mm, 165mm)  
 Rock Shox Monarc RT3 High Volume (215g) (190mm, 200mm, 216mm)  
 Rock Shox Monarc Plus RT3 High Volume (355g) (200mm, 216mm, 222mm)  
 Rock Shox Vivid AIR RC2 (530g) (200mm, 216mm, 222mm, 241mm)  
 Rock Shox Vivid COIL RC2 (945g) (216mm, 222mm, 241mm)  
 Elka Stage 5 (920g) (190mm, 200mm, 216mm, 222mm, 241mm)



# BOLDER MX 2011

# BOLDER MX 2011

**TYPE:**XC/ MOUNTAIN TRAIL

**TUBESET:**DEDACCIAI 7003 CUSTOM FOR MDE WITH SQUARE CHAIN AND RECTANGULAR STAYS

**MANUFACTURE:**TIG WELDING AND CNC PARTS

**SYSTEM:**MONOCROSS, WHIT NEW ERGAL PIVOT AND ENDURO BEARINGS

**REAR SHOCK:**ROCK SHOX MONARCH RT3 190X50MM

**WHEEL TRAVEL:**120-130-140MM(4.7"-5.1"-5.5")

**DROPOUTS:** CNC REPLACEABLE DERAILLEUR HANGER INTERNATIONAL STANDARD DISC MOUNT

**WEIGHT:**2700g (SIZE M WITHOUT SHOX)

**SIZE:**XS (WOMEN), S, M, L

**STANDARD COLORS (POWER COATING):**DEEP BLUE (ANOD. RED DETAILS)  
RACING RED (ANOD. BLACK DETAILS)  
ROYAL WHITE (ANOD.RED DETTAILS)

"OTHER COLORS ARE AVAILABLE WITH OVERTIME AND OVERPRICE"

## TECHNICAL INFORMATIONS:

Seat post diameter = 27.2 mm

Seat collar diameter =31.8 mm

Headset diameter = 1 1/8"

Headset type = standard

Fork type = 110 - 150mm

Brake type = disc only

Front derailleur diameter = 31.8 mm

Front derailleur cable route = down pull

Front derailleur type = top swing

Bottom bracket shell width = 73mm

ISCG = none

Freehub width = 135 mm

Shock length =190mm

Shock travel =50mm

Shock pivot width front =22mm

Shock pivot width rear =50mm

Shock bolt diameter = 8mm

Rear wheel travel =120-130-140mm

Tire maximum clearance = 26 x 2.7, 24x3.0

Rear derailleur hanger type = MDE 1 new

Weight = 2700g (SIZE M WITHOUT SHOX)

FOR GEOMETRY SEE ALSO THE MANUAL

## AVAILABLE SHOX:

Marzocchi Roco Lo (290g) (165mm,190mm,200 mm)

Marzocchi Roco Air Tst R (455g) (200mm,216mm)

Marzocchi Roco Air Rc Wc (455g) (222mm,241mm)

Marzocchi Roco Tst R (1050g) (200mm,216mm)

Marzocchi Roco Rc Wc (1050) (222mm,241mm)

Fox Float RP23 (210g) (165mm,190mm,200mm,216mm)

Fox Dlx Air 5.0 (360g) (200mm,216mm,222mm,241mm)

Fox Van R (980g) (190mm,200mm,216mm,222mm,241mm)

Fox Dlx RC4 (950g) (190mm,200mm,216mm,222mm,241mm)

Rock Shox Ario RL (210g) (165mm,190mm)

Rock Shox Ario RLR (220g) (165mm,190mm)

Rock Shox Monarc RT3 (205g) (151mm,165mm)

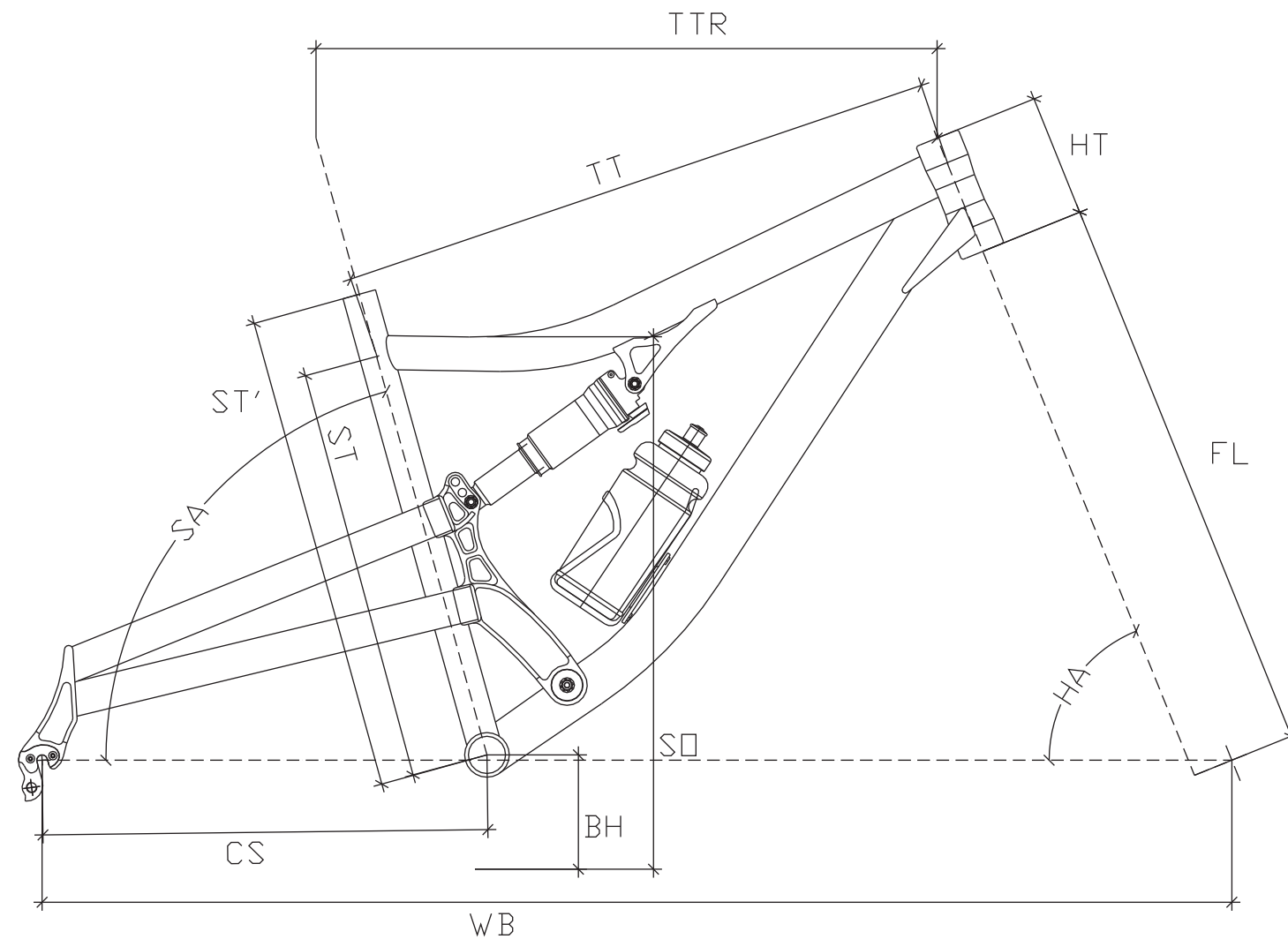
Rock Shox Monarc RT3 High Volume (215g) (190mm,200mm,216mm)

Rock Shox Monarc Plus RT3 High Volume (355g) (200mm,216mm,222mm)

Rock Shox Vivid AIR RC2 (530g) (200mm,216mm,222mm,241mm)

Rock Shox Vivid COIL RC2 (945g) (216mm,222mm,241mm)

Elka Stage 5 (920g) (190mm,200mm,216mm,222mm,241mm)

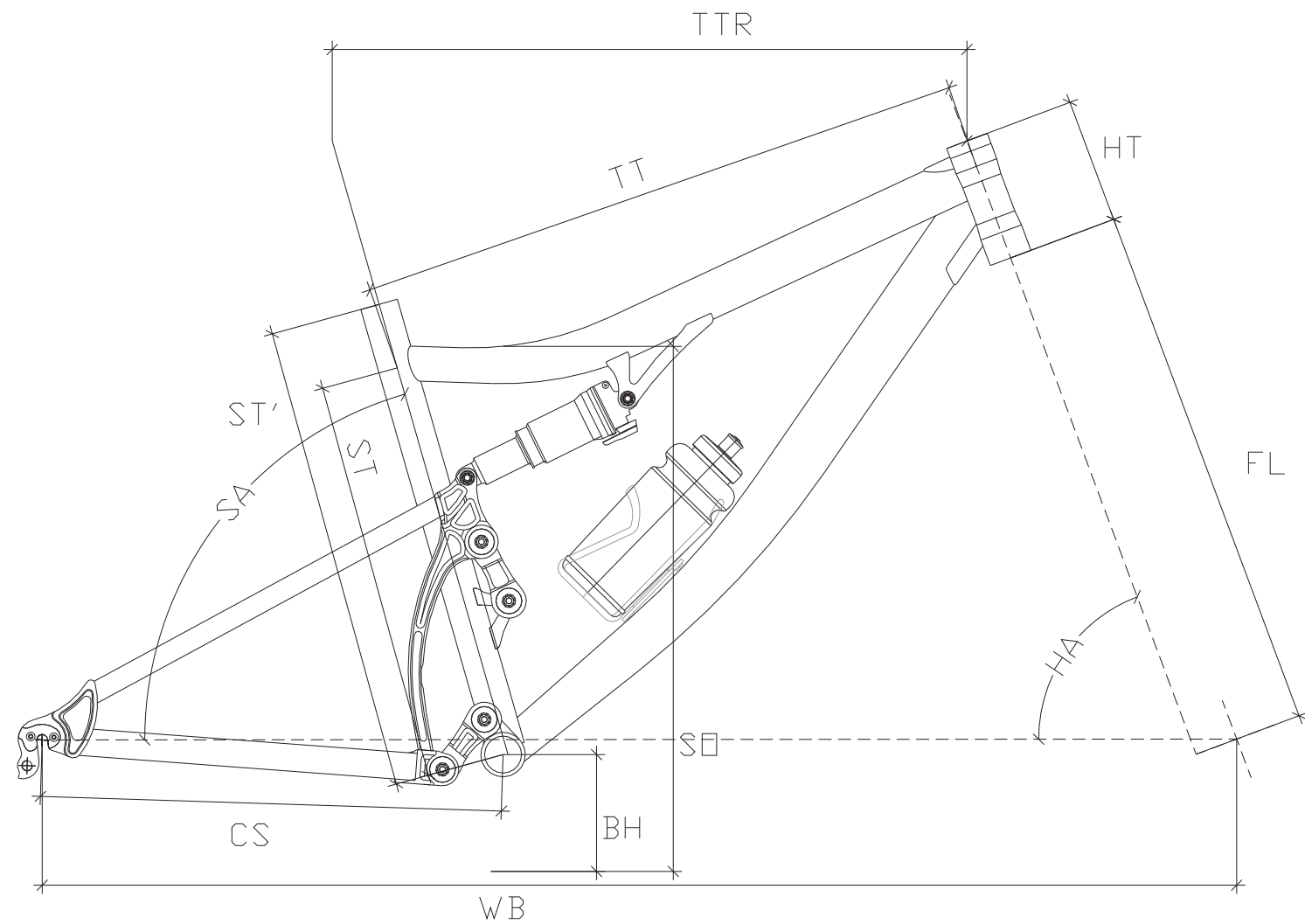


2011 GEOMETRY													FORK	
SIZE	ST	ST'	TTR	TT	SO	SA	HA	HT	CS	BH	WB	FL	TRAVEL	RIDER HT
XS	322	380	540	529	695	74°	68°	110	422	345	1075	520	140	145-160 cm
S	342	400	560	547	708	74°	68°	110	422	345	1095	520	140	160-170 cm
M	392	450	585	568	736	74°	68°	120	422	345	1120	520	140	170-180 cm
L	432	490	610	591	774	74°	68°	120	422	345	1146	520	140	180-195 cm

GEOMETRY WITH THE REAR SHOX IN THE REAR SWINGARM LOW FIXING POINT (140MM)

# CUDGEL 2011

**TYPE:** CROSS COUNTRY  
**TUBESET:** DEDACCAI 7003 CUSTOM SHAPE WITH SQUARE CHAIN AND RECTANGULAR STAYS  
**MANUFACTURE:** TIG WELDING AND CNC PARTS  
**SYSTEM:** MDE OWNER I-LINK SYSTEM, NEW ERGAL PIVOT AND SPECIAL "ENDURO BEARINGS"  
**REAR SHOCK (STANDARD):** ROCK SHOX MONARC RT3 165X38MM  
**WHEEL TRAVEL:** 100MM (4")  
**DROPOUTS:** CNC REPLACEABLE  
**WEIGHT:** 2400g (SIZE M WITHOUT SHOX)  
**SIZE:** S, M, L, XL  
**STANDARD COLOURS (POWDER COATING):** CHOCOLATE (WHITE PAINT DETAILS)  
 RACING RED (ANOD. BLACK DETAILS)  
 ROYAL WHITE (ANOD. BLACK DETAILS)  
 "OTHER COLORS ARE AVAILABLE WITH OVERTIME AND OVERPRICE"



# CUDGEL 2011

## TECHNICAL INFORMATIONS:

Seat post diameter = 30.9 mm  
 Seat collar diameter = 34.9 mm  
 Headset diameter = 1/1.8  
 Headset type = STANDARD  
 Fork type = 80 - 120mm  
 Brake type = disc only  
 Front derailleur diameter = 34.9 mm  
 Front derailleur cable route = top pull  
 Front derailleur type = top swing  
 Bottom bracket shell width = 73mm  
 ISCG = --  
 Freehub width = 135 mm  
 Shock length = 165mm  
 Shock travel = 38mm  
 Shock pivot width front = 22mm  
 Shock pivot width rear = 40mm  
 Shock bolt diameter = 8mm  
 Rear wheel travel = 100mm  
 Tire maximum clearance = 26 x 2.3  
 Rear derailleur hanger type = MDE 1 NEW  
 Weight = 2400g (SIZE M WITHOUT SHOX)

## AVAILABLE SHOX:

Marzocchi Roco Lo (290g) (165mm, 190mm, 200 mm)  
 Marzocchi Roco Air Tst R (455g) (200mm, 216mm)  
 Marzocchi Roco Air Rc Wc (455g) (222mm, 241mm)  
 Marzocchi Roco Tst R (1050g) (200mm, 216mm)  
 Marzocchi Roco Rc Wc (1050) (222mm, 241mm)  
 Fox Float RP23 (210g) (165mm, 190mm, 200mm, 216mm)  
 Fox Dhx Air 5.0 (360g) (200mm, 216mm, 222mm, 241mm)  
 Fox Van R (980g) (190mm, 200mm, 216mm, 222mm, 241mm)  
 Fox Dhx RC4 (950g) (190mm, 200mm, 216mm, 222mm, 241mm)  
 Rock Shox Ario RL (210g) (165mm, 190mm)  
 Rock Shox Ario RLR (220g) (165mm, 190mm)  
 Rock Shox Monarc RT3 (205g) (151mm, 165mm)  
 Rock Shox Monarc RT3 High Volume (215g) (190mm, 200mm, 216mm)  
 Rock Shox Monarc Plus RT3 High Volume (355g) (200mm, 216mm, 222mm)  
 Rock Shox Vivid AIR RC2 (530g) (200mm, 216mm, 222mm, 241mm)  
 Rock Shox Vivid COIL RC2 (945g) (216mm, 222mm, 241mm)  
 Elka Stage 5 (920g) (190mm, 200mm, 216mm, 222mm, 241mm)

SIZE	ST	ST'	TTR	TT	SO	SA	HA	HT	CS	BH	WB	FL	fork travel	RIDER HT
S	333	390	560	545	677	74°	69°	110	425	323	1080	488	100	150-165 cm
M	373	430	585	565	700	74°	69.5°	115	425	323	1100	488	100	165-175 cm
L	423	480	610	590	740	74°	69.5°	120	425	323	1125	488	100	175-185 cm
XL	453	510	640	620	764	74°	70°	130	425	323	1150	488	100	185-200 cm

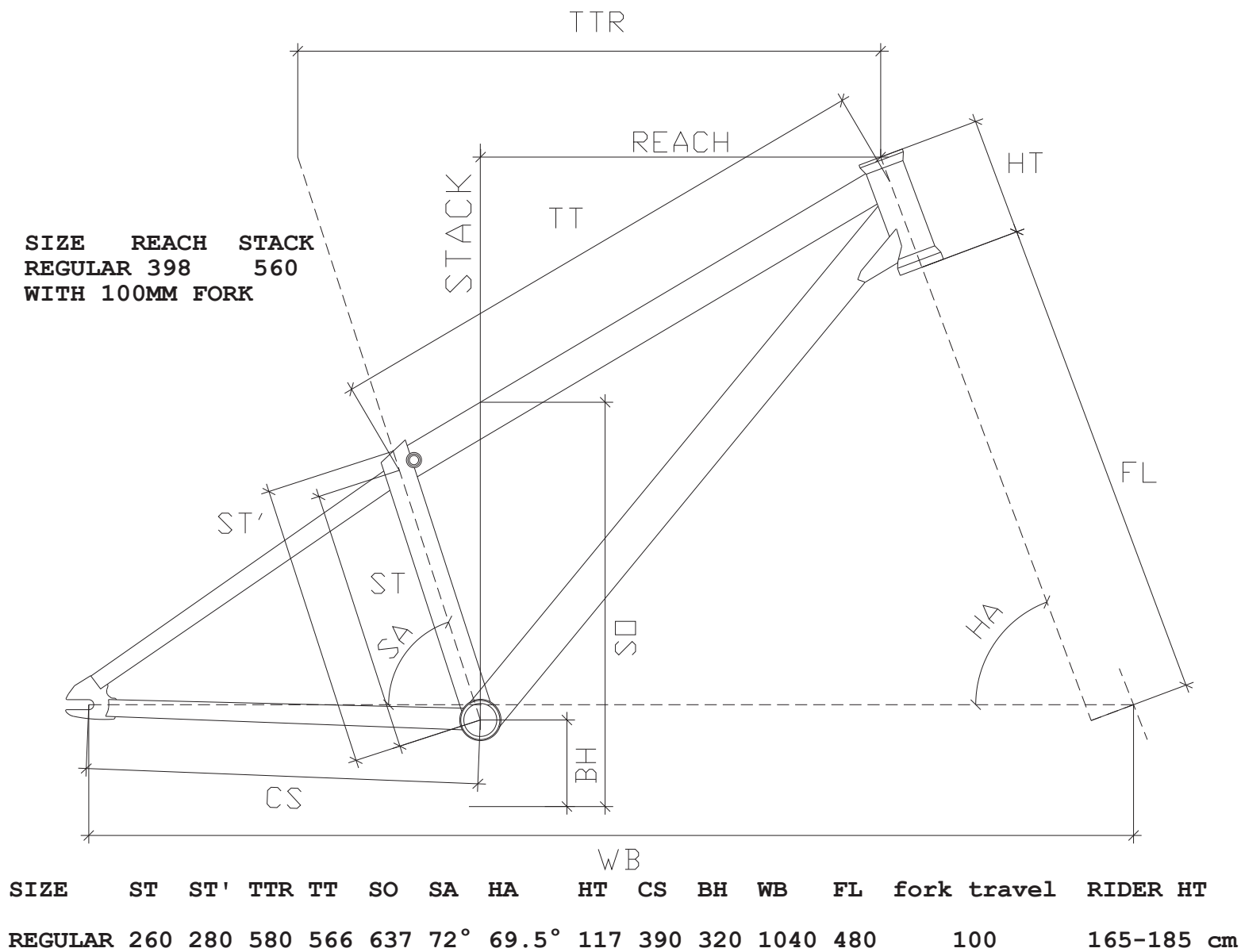
# ANVIL 2011

**TYPE:** SLOPE STYLE  
**TUBESET:** DEDACCIAI 7003 CUSTOM SHAPE WITH SQUARE CHAIN AND RECTANGULAR STAYS  
**MANUFACTURE:** TIG WELDING AND CNC PARTS  
**SYSTEM:** MDE OWNER I-LINK SYSTEM, NEW 2010 ERGAL PIVOT AND SPECIAL "ENDURO BEARINGS"  
**REAR SHOCK (STANDARD):** ROCK SHOX MONARC RT3 200X57MM  
 (ROCK SHOX MONARCH RT3 190X50mm)  
**WHEEL TRAVEL:** 140mm (5.5")  
 110mm (4.5")  
**DROPOUTS:** CNC REPLACEABLE  
**WEIGHT:** 2.10KG (BLACK RAW)  
**SIZE:** REGULAR  
**STANDARD COLOURS (POWDER COATING):** FLUO YELLOW (ANOD.BLUE DETAILS)  
 WATER GREEN (ANOD.RED DETAILS)  
 PURPLE (ANOD.BLACK DETAILS)  
 "OTHER COLORS ARE AVAILABLE WITH OVERTIME AND OVERPRICE"

# ANVIL 2011

## TECHNICAL INFORMATION:

Seat post diameter = 27.2 mm  
 Seat collar diameter = --  
 Headset diameter = 1 1/8  
 Headset type = INTEGRATE CAMPA  
 Fork type = 80 - 100mm  
 Brake type = disc only  
 Front derailleur diameter = --  
 Front derailleur cable route = --  
 Front derailleur type = --  
 Bottom bracket shell width = 68 SPANISH  
 ISCG = --  
 Freehub width = 135 mm  
 Shock length = --  
 Shock travel = --  
 Shock pivot width front = --  
 Shock pivot width rear = --  
 Shock bolt diameter = --  
 Rear wheel travel = --  
 Tire maximum clearance = 26 x 2.2  
 Rear derailleur hanger type = --  
 Weight = 2.1 Kg



# 4TRAIL 2011

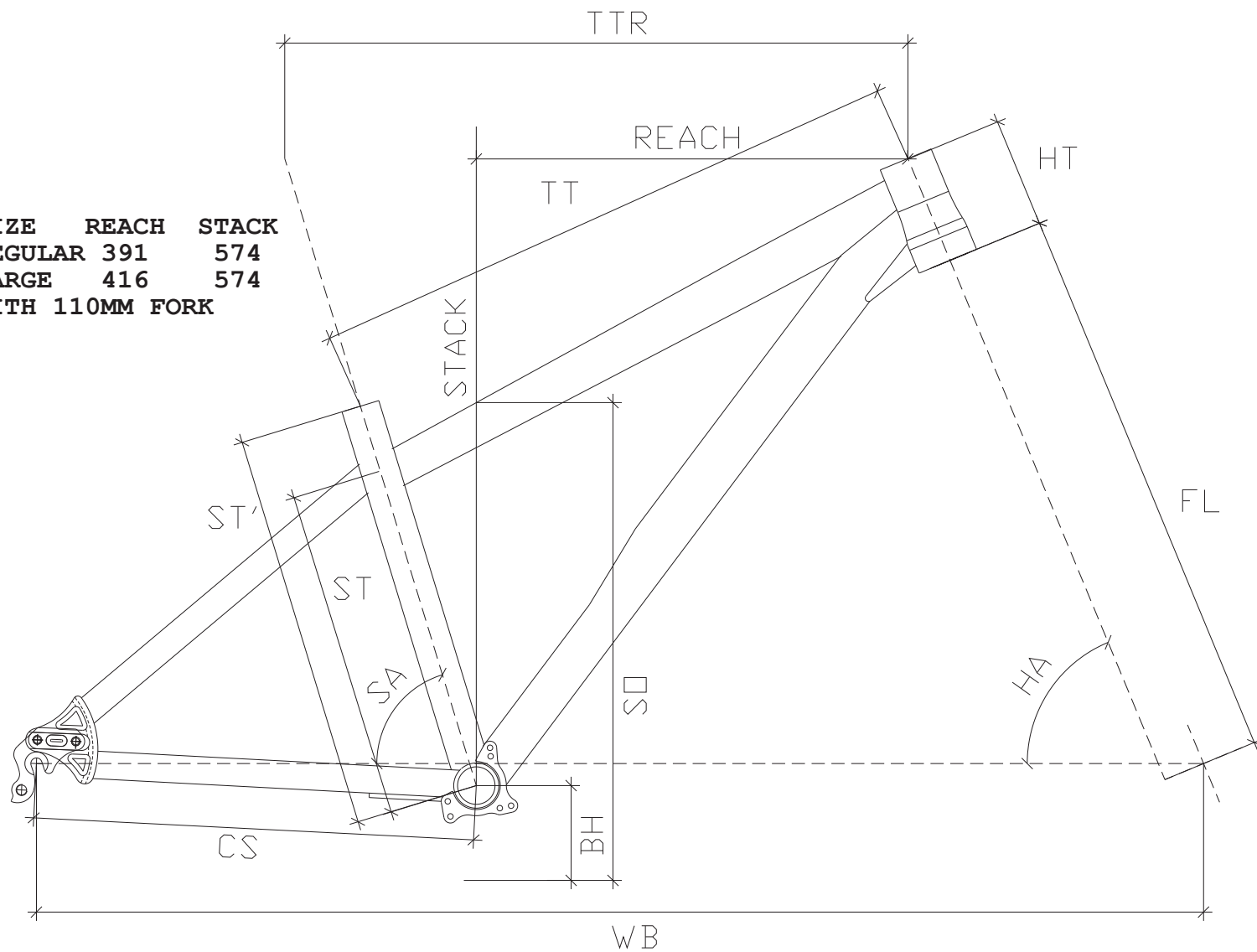
# 4TRAIL 2011

**TYPE:** 4X/DIRT/TRAIL  
**TUBESET:** DEDACCIAI 7003 CUSTOM SHAPE WITH SQUARE CHAIN AND RECTANGULAR STAYS  
**MANUFACTURE:** TIG WELDING AND CNC PARTS  
**SYSTEM:** HARD TAIL  
**DROPOUTS:** MDS (MDE Dropout System)  
**WEIGHT:** 2000g  
**SIZE:** REGULAR, LARGE  
**STANDARD COLOURS (POWDER COATING):** RACING RED (ANOD. BLACK DETAILS)  
 DEEP BLUE (ANOD. RED DETAILS)  
 ROYAL WHITE (ANOD. RED DETAILS)

"OTHER COLORS ARE AVAILABLE WITH OVERTIME AND OVERPRICE"

SIZE	REACH	STACK
REGULAR	391	574
LARGE	416	574

WITH 110MM FORK



SIZE	ST	ST'	TTR	TT	SO	SA	HA	HT	CS	BH	WB	FL	fork travel	RIDER HT
REGULAR	278	330	566	560	652	73°	67.5°	110	394/406	315	1060	495	110mm	155-175cm
LARGE	299	350	597	572	669	73°	67.5°	110	394/406	315	1080	495	110mm	175-190cm

## TECHNICAL INFORMATION:

Seat post diameter = 30.9 mm  
 Seat collar diameter = 34.9 mm  
 Headset diameter = 1/1.8"UP/1.5"DOWN  
 Headset type = SEMI-INTEGRATE UP/STANDARD DOWN  
 Fork type = 100 - 160mm  
 Brake type = disc only  
 Front derailleur diameter = 34.9 mm  
 Front derailleur cable route = top pull  
 Front derailleur type = top swing  
 Bottom bracket shell width = 73mm  
 ISCG = 03' and 05' standard  
 Freehub width = 135 or 150mm  
 Shock length = --  
 Shock travel = --  
 Shock pivot width front = --  
 Shock pivot width rear = --  
 Shock bolt diameter = --  
 Rear wheel travel = --  
 Tire maximum clearance = 26 x 2.5  
 Rear derailleur hanger type = MDS (MDE Dropout System)  
 Weight = 1860g (without dropouts)

Note: front derailleur cable stopper only on request

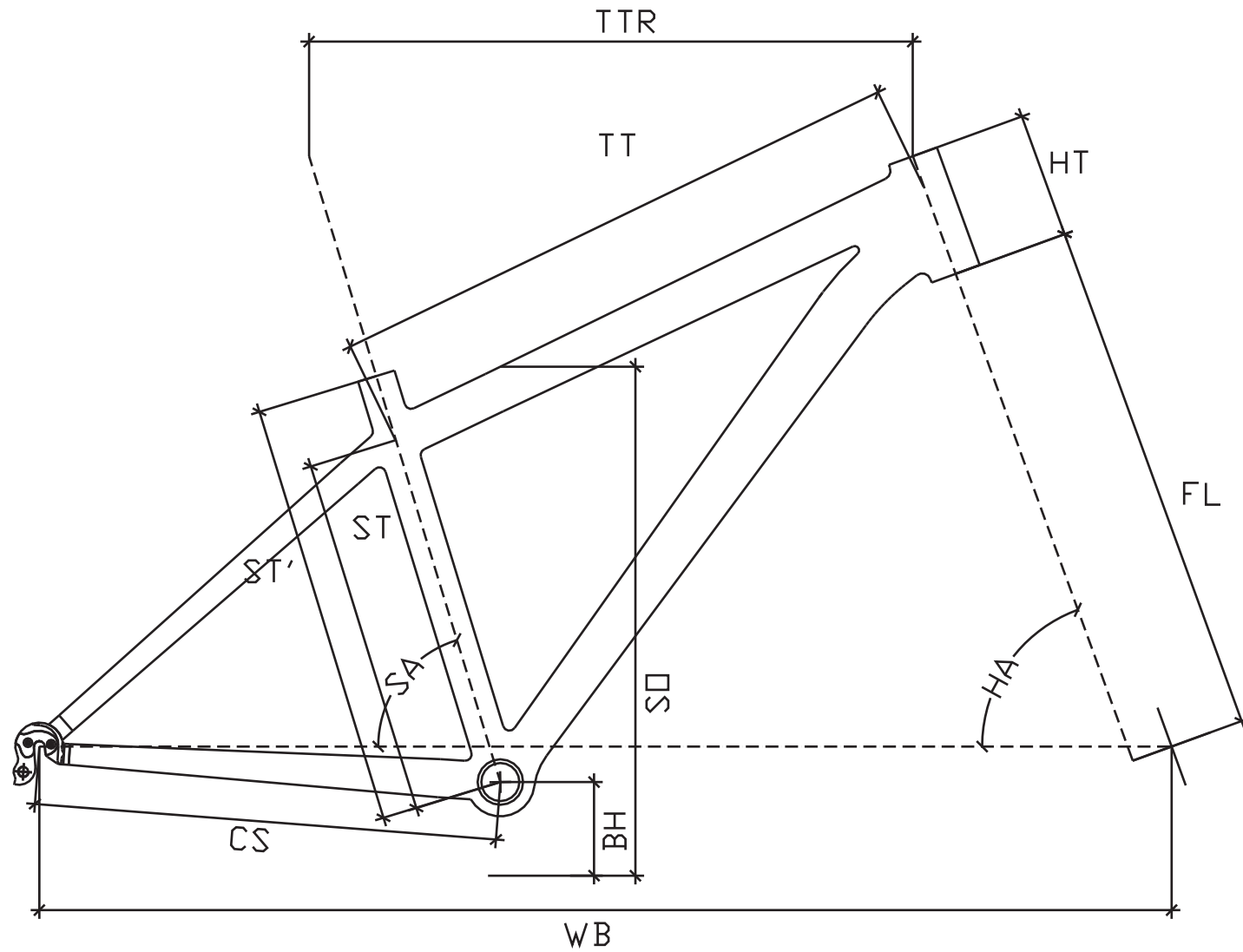
## MDE DROPOUTS SYSTEM AVAILABLE:

- 1° 135X10MM VERTICAL I.S. DISC MOUNTING (130g)
- 2° 135X12MM VERTICAL I.S. DISC MOUNTING (130g)
- 3° 135X12MM TRUE AXLE FRONT POST MOUNT DISC (290g)
- 4° 150X12MM TRUE AXLE FRONT POST MOUNT DISC (260g)
- 5° 135X12MM MAXLE FRONT POST MOUNT DISC (290g)
- 6° 150X12MM MAXLE FRONT POST MOUNT DISC (260g)



# SLIDER CARBON 2011

**TYPE:** XC RACE, MARATHON  
**TUBESET:** HIGH MODUL T800 CARBON FIBER BY WR COMPOSITE  
**MANUFACTURE:** TUBE-TO-TUBE TECNOLOGY  
**SYSTEM:** HARD TAIL  
**DROPOUTS:** REPLACEABLE DERAILLEUR HANGER INTERNATIONAL STANDARD DISC MOUNT  
**WEIGHT:** 1080g (SIZE 18", with BB30, Full Carbon)  
**MEN SIZE:** 13.5, 15, 16, 17, 18, 19, 20, 21  
**STANDARD COLORS (POWDER COATING):** RACING RED/WHITE  
 RACING GREEN/WHITE  
 FULL CARBON



# SLIDER CARBON 2011

## TECHNICAL INFORMATIONS:

Seat post diameter = 31.6 mm  
 Seat collar diameter = 34.9 mm  
 Headset diameter = 1" 1/8  
 Headset type = INTEGRATED  
 Fork type = 80 - 100mm  
 Brake type = disc  
 Front derailleur diameter = 34.9 mm  
 Front derailleur cable route = top pull  
 Front derailleur type = down swing  
 Bottom bracket shell width = 68mm BSA or BB30  
 Freehub width = 135x10 mm  
 Shock length = --  
 Shock travel = --  
 Shock pivot width front = --  
 Shock pivot width rear = --  
 Shock bolt diameter = --  
 Rear wheel travel = --  
 Tire maximum clearance = 26 x 2.1  
 Rear der. hanger type = MDE 1  
 Weight = 1080g (SIZE 18", with BB30, Full Carbon)

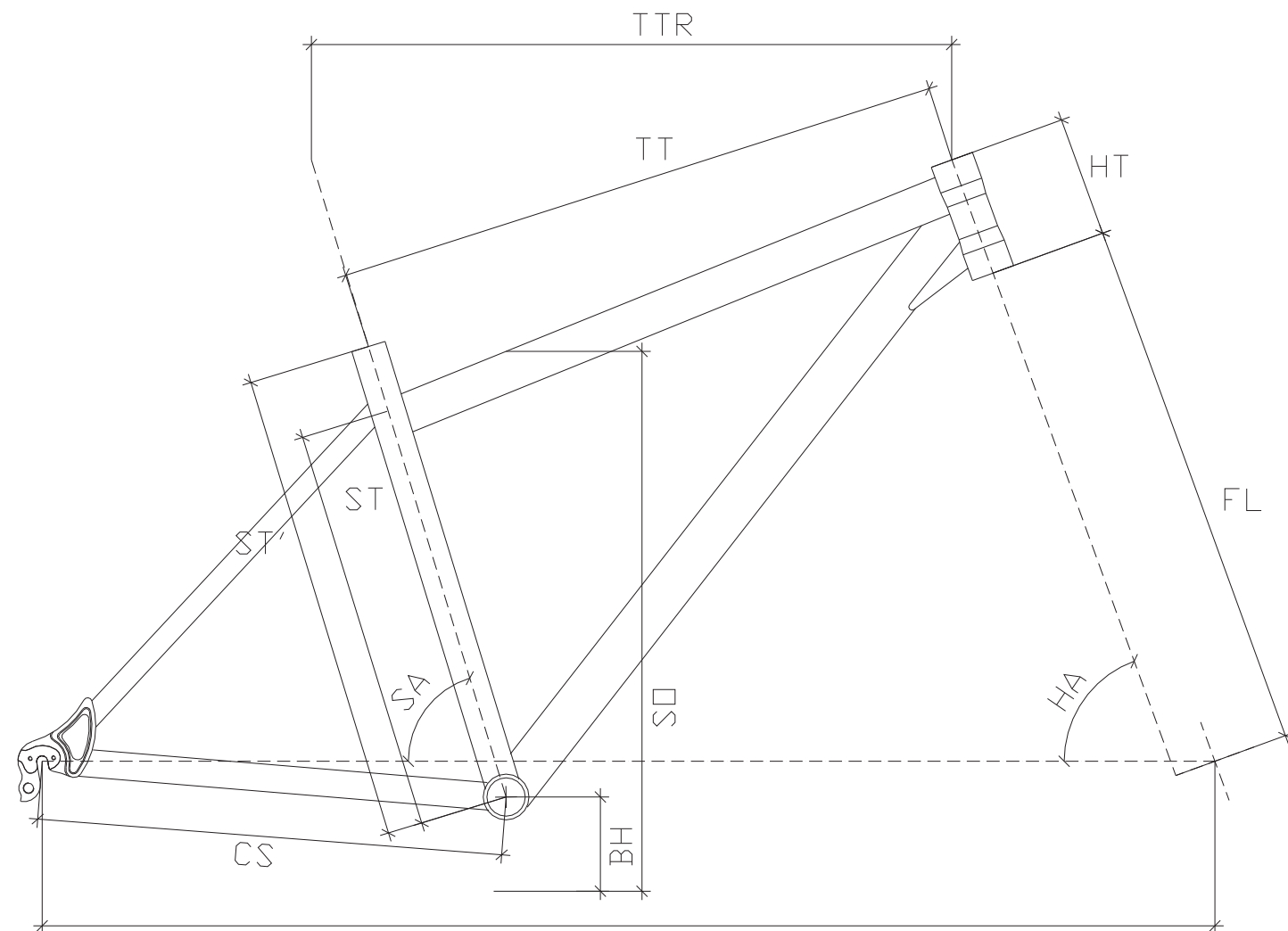
## 26" WHEELS MEN GEOMETRY

SIZE	ST	ST'	TTR	TT	SA	HA	HT	CS	BH	WB	FL	fork travel	RIDER HT
15.5	316	360	555	538	73°	70°	115	424	300	1040	473	100	150-168 cm
17	366	430	585	563	73°	70°	120	424	300	1070	473	100	168-175 cm
18	386	450	600	576	73°	70°	125	424	300	1086	473	100	175-183 cm
19	416	480	615	590	73°	70°	130	424	300	1100	473	100	183-191 cm
20	446	510	630	605	73°	70.5°	135	424	300	1110	473	100	191-199 cm
21	476	540	645	622	73°	70.5°	145	424	300	1127	473	100	199-210 cm

# SLIDER 2011

**TYPE:** XC RACE, MARATHON  
**TUBESET:** DEDACCIAl ALUMINIUM 7003 CUSTOM FOR MDE  
**MANUFACTURE:** TIG WELDING AND CNC PARTS  
**SYSTEM:** HARD TAIL  
**DROPOUTS:** REPLACEABLE DERAILLEUR HANGER INTERNATIONAL STANDARD DISC MOUNT  
**WEIGHT:** 1.45kg (SIZE 18")  
**MEN SIZE:** 13.5, 15, 16, 17, 18, 19, 20, 21  
**STANDARD COLORS (POWDER COATING):** ROYAL BLACK (ANOD. RED DETAILS)  
 RACING RED (ANOD. BLACK DETAILS)  
 ROYAL WHITE (ANOD. RED DETAILS)

"OTHER COLORS ARE AVAILABLE WITH OVERTIME AND OVERPRICE"  
 NOTE: V-BRAKE PIVOT'S ONLY ON REQUEST



# SLIDER 2011

**TECHNICAL INFORMATION:** Seat post diameter = 27.2 mm  
 Seat collar diameter = 31.8 mm  
 Headset diameter = 1" 1/8  
 Headset type = normal  
 Fork type = 80 - 120mm  
 Brake type = disc (V-brake on request)  
 Front derailleur diameter = 31.8 mm  
 Front derailleur cable route = top pull  
 Front derailleur type = top swing  
 Bottom bracket shell width = 68 mm  
 Freehub width = 135 mm  
 Shock length ---  
 Shock travel ---  
 Shock pivot width front ---  
 Shock pivot width rear ---  
 Shock bolt diameter ---  
 Rear wheel travel ---  
 Tire maximum clearance = 26 x 2.3  
 Rear der. hanger type = MDE 1  
 Weight = 1.45 Kg (SIZE 18")

26" WHEELS MEN GEOMETRY

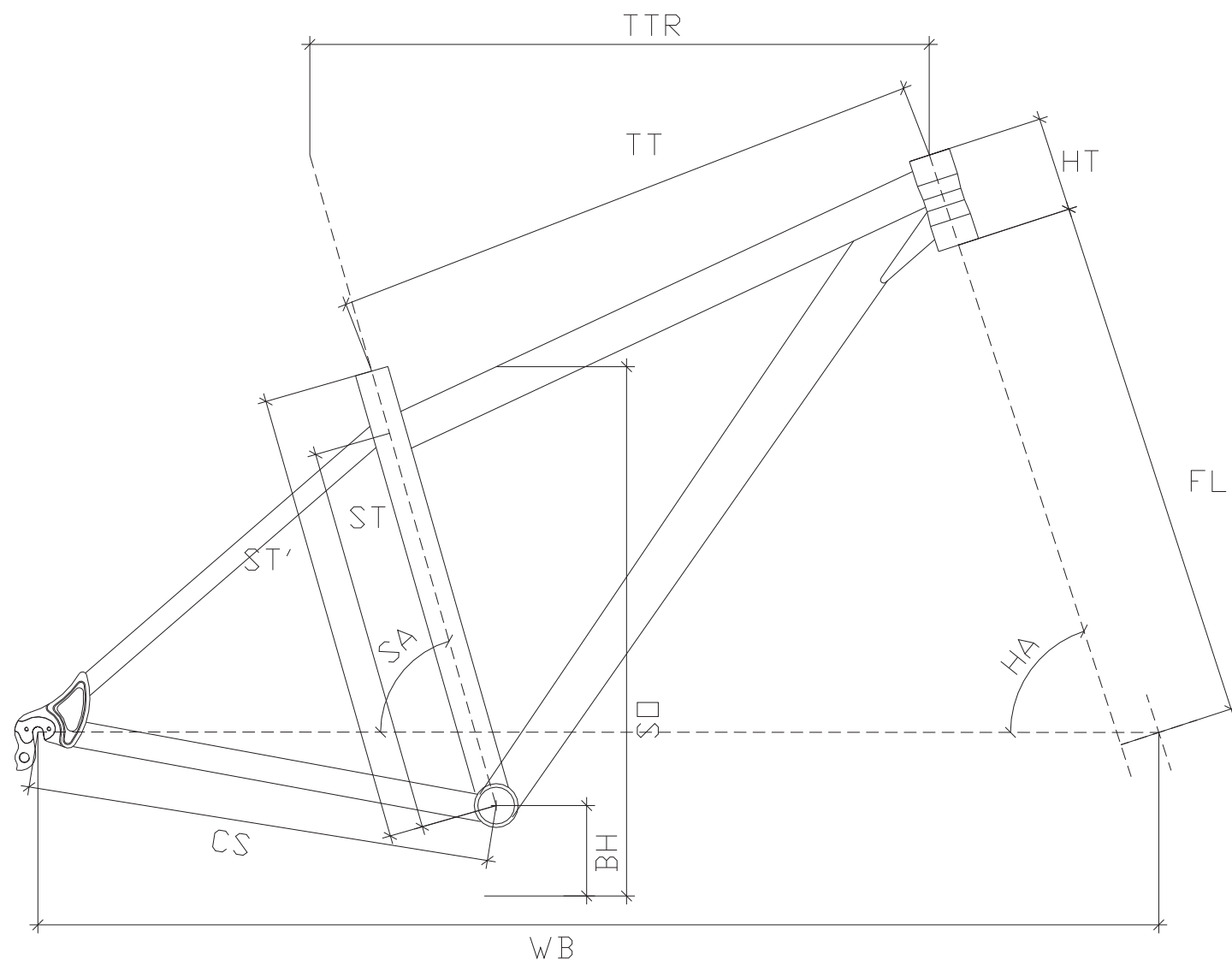
SIZE	ST	ST'	TTR	TT	SA	HA	HT	CS	BH	WB	FL	fork travel	RIDER HT
13.5	276	340	535	533	73.5°	69.5°	90	425	302	1031	473	100	140-152 cm
15	316	380	555	542	73°	69.5°	100	425	302	1046	473	100	152-160 cm
16	346	410	570	551	73°	70°	107	425	302	1056	473	100	160-168 cm
17	366	430	585	563	73°	70°	110	425	302	1071	473	100	168-175 cm
18	386	450	600	575	73°	70°	115	425	302	1086	473	100	175-183 cm
19	416	480	615	590	73°	70°	120	425	302	1101	473	100	183-191 cm
20	446	510	630	605	73°	70°	125	425	302	1116	473	100	191-199 cm
21	476	540	645	616	72.5°	70.5°	130	425	302	1118	473	100	199-210 cm

# SLIDER NINER 2011

# SLIDER 2011

**TYPE:**XC RACE, MARATHON  
**TUBESET:**DEDACCIAI ALUMINIUM 7003 CUSTOM FOR MDE  
**MANUFACTURE:**TIG WELDING AND CNC PARTS  
**SYSTEM:** HARD TAIL 29"  
**DROPOUTS:** REPLACEABLE DERAILLEUR HANGER INTERNATIONAL STANDARD DISC MOUNT  
**WEIGHT:**1.58kG ("M" SIZE ANODIZED)  
**SIZE:**S,M,L,XL  
**STANDARD COLORS (POWDER COATING):** ROYAL WHITE (ANOD.RED DETAILS)  
 RACING RED (ANOD.BLACK DETAILS)  
 ROYAL BLACK (ANOD.BLACK DETAILS)

"OTHER COLORS ARE AVAILABLE WITH OVERTIME AND OVERPRICE"  
 NOTE: V-BRAKE PIVOT'S ONLY ON REQUEST



**TECHNICAL INFORMATIONS:**Seat post diameter = 27.2 mm  
 Seat collar diameter =31.8 mm  
 Headset diameter = 1" 1/8  
 Headset type = normal  
 Fork type = 80 - 120mm  
 Brake type = disc(V-brake on request)  
 Front derailleur diameter = 31.8 mm  
 Front derailleur cable route = top pull  
 Front derailleur type = top swing  
 Bottom bracket shell width = 73 mm  
 Freehub width = 135 mm  
 Shock length ---  
 Shock travel ---  
 Shock pivot width front ---  
 Shock pivot width rear ---  
 Shock bolt diameter ---  
 Rear wheel travel ---  
 Tire maximum clearance = 29 x 2.3  
 Rear der. hanger type = MDE 1  
 Weight = 1.58 Kg (SIZE "M")

**GEOMETRY**

SIZE	ST	ST'	TTR	TT	SA	HA	HT	CS	BH	WB	FL	fork travel	RIDER HT
S	323	390	570	561	73°	70.5	80	442	316	1032	510	100	155-168 cm
M	365	430	590	573	73°	71°	90	442	316	1048	510	100	168-178 cm
L	416	480	610	583	73°	71°	100	442	316	1058	510	100	178-188 cm
XL	447	510	630	606	73°	71°	110	442	316	1070	510	100	188-200 cm

SINGLE SPEED VERSION CS=435-447 HA=-1°  
 WITH 80MM FORK HA(SA)=+1° BH=308  
 WITH 120MM FORK HA(SA)=-1° BH=324

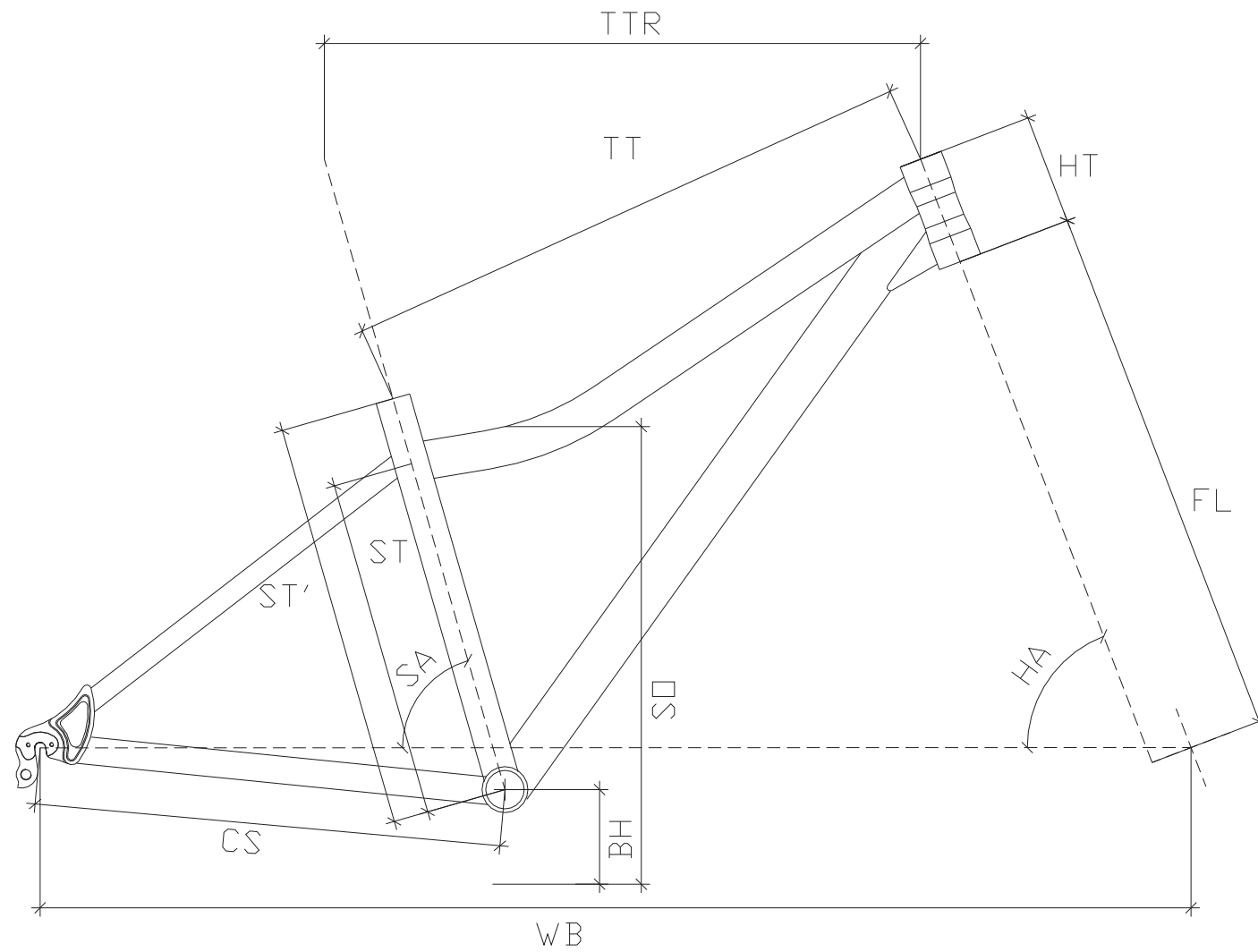
# SLIDER LADY 2011

# SLIDER LADY 2011

**TYPE:** XC RACE, MARATHON  
**TUBESET:** DEDACIAI ALUMINIUM 7003 CUSTOM FOR MDE  
**MANUFACTURE:** TIG WELDING AND CNC PARTS  
**SYSTEM:** HARD TAIL  
**DROPOUTS:** REPLACEABLE DERAILLEUR HANGER INTERNATIONAL STANDARD DISC MOUNT  
**WEIGHT:** 1.45kg (SIZE 18")  
**MEN SIZE:** 13.5, 15, 16, 17, 18, 19, 20, 21  
**WOMEN SIZE:** WXS, WS, WM, WL  
**STANDARD COLORS (POWDER COATING):** PURPLE (ANOD.BLACK DETAILS)  
 RACING RED (ANOD.BLACK DETAILS)  
 ROYAL WHITE (ANOD.RED DETAILS)

"OTHER COLORS ARE AVAILABLE WITH OVERTIME AND OVERPRICE"  
 NOTE: V-BRAKE PIVOT'S ONLY ON REQUEST

**TECHNICAL INFORMATION:** Seat post diameter = 27.2 mm  
 Seat collar diameter = 31.8 mm  
 Headset diameter = 1" 1/8  
 Headset type = normal  
 Fork type = 80 - 120mm  
 Brake type = disc (V-brake on request)  
 Front derailleur diameter = 31.8 mm  
 Front derailleur cable route = top pull  
 Front derailleur type = top swing  
 Bottom bracket shell width = 68 mm  
 Freehub width = 135 mm  
 Shock length = --  
 Shock travel = --  
 Shock pivot width front = --  
 Shock pivot width rear = --  
 Shock bolt diameter = --  
 Rear wheel travel = --  
 Tire maximum clearance = 26 x 2.3  
 Rear der. hanger type = MDE 1  
 Weight = 1.45 Kg (SIZE "M")



26" WHEELS WOMEN GEOMETRY

SIZE	ST	ST'	TTR	TT	SA	HA	HT	CS	BH	WB	FL	fork travel	RIDER HT
WXS	261	330	528	533	74°	69°	90	425	297	1032	473	100	140-154 cm
WS	303	370	543	538	74°	69°	100	425	297	1048	473	100	154-162 cm
WM	355	420	562	545	73°	69°	107	425	297	1058	473	100	162-170 cm
WL	396	460	580	557	73°	69.5°	115	425	297	1070	473	100	170-178 cm

WITH 80MM FORK HA (SA) = +1° BH = -8